

	RD3/4-18	RD3/4-21	RD3/4-24	RD3/4-27	RD3/4-30	RD3/4-36
DF	1890	2190	2490	2790	3090	3690
RW	940	1090	1240	1390	1540	1840
Frame R11	906	1056	1206	1356	1506	1806
Slim R11	904	1054	1204	1354	1504	1804
RD3 W1	300	330	380	430	480	580
W2	120	140	160	180	200	240
RD4 W1	250	280	330	380	430	530
W2	170	190	210	230	250	290

W1 = Weight (kg) distributed over the fixing rail
W2 = Weight (kg) distributed over the base plate

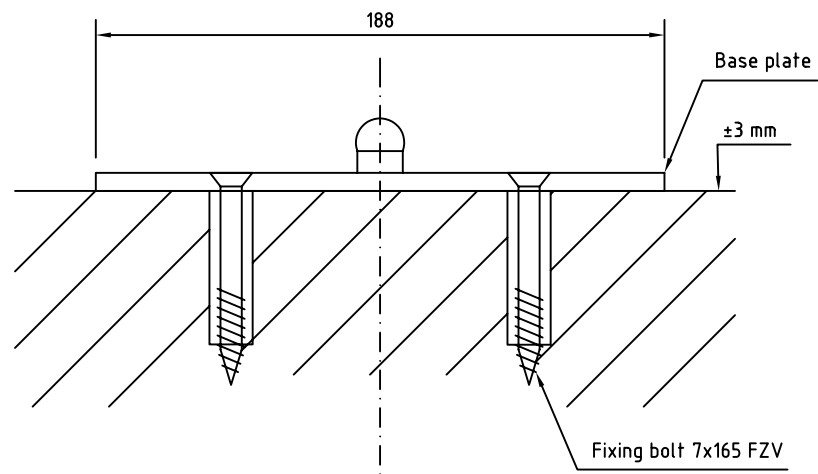
Revolving door RD3/4
Floor preparation

besam 

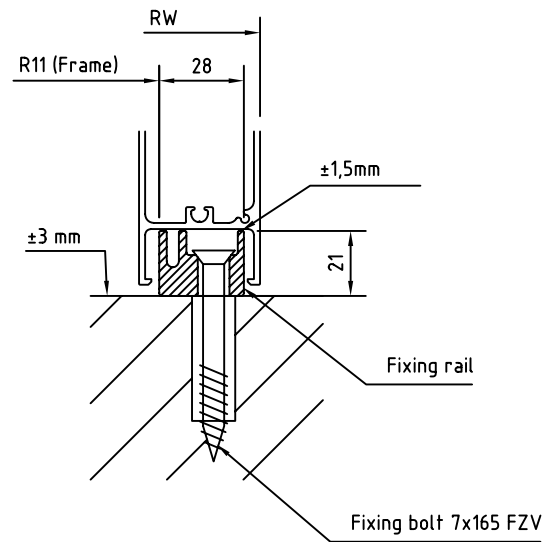
For details see dwg. 1002800

2

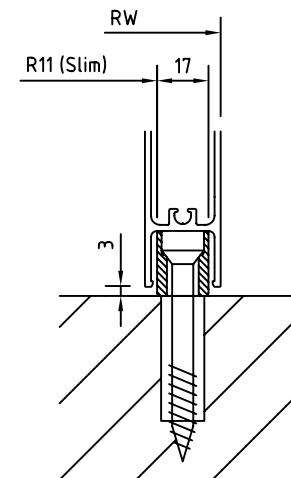
1002799



A-A



B-B
Frame



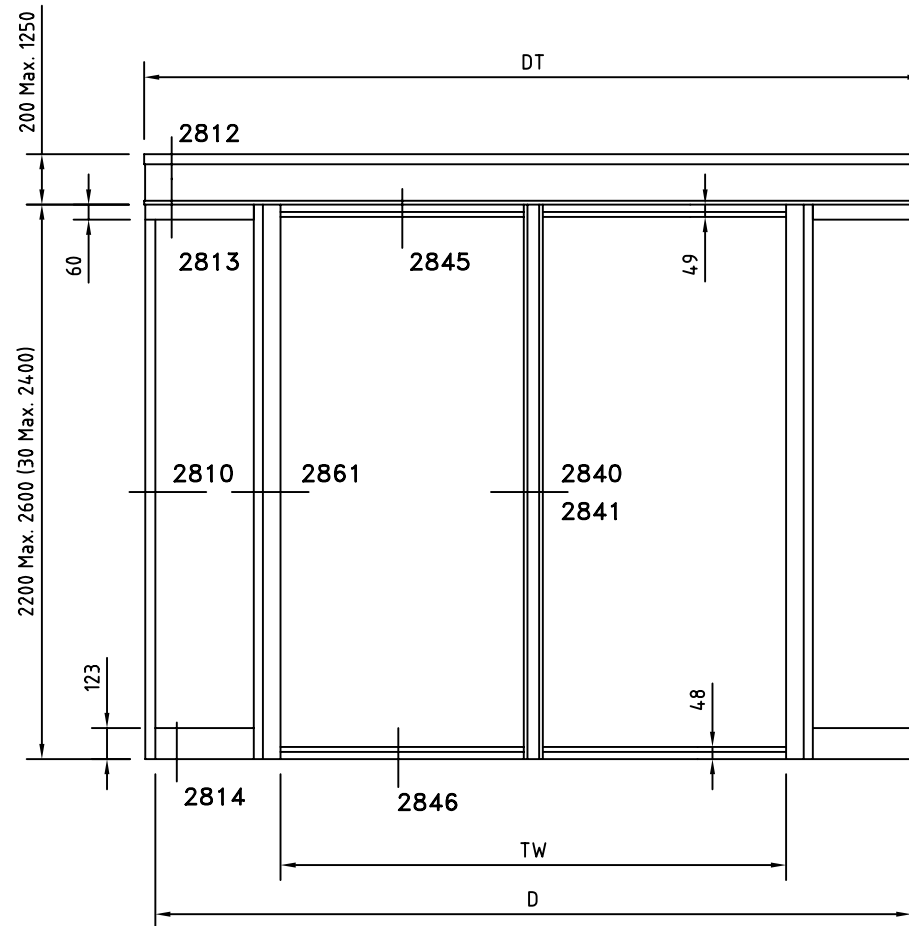
B-B
Slim

Revolving door RD3/4
Floor preparation
Details

besam 

2

1002800



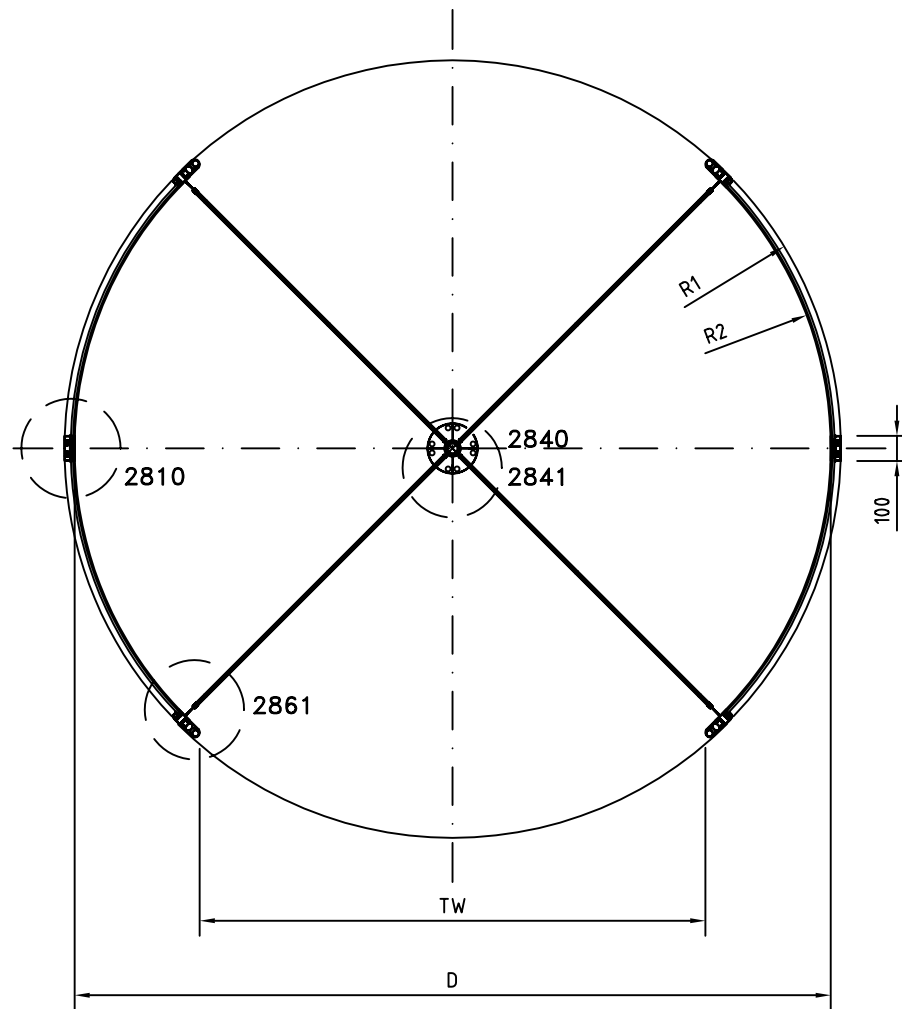
	-18	-21	-24	-27	-30
D	1800	2100	2400	2700	3000
TW	1191	1403	1615	1827	2039
DT	1888	2188	2488	2788	3088

Revolving door
 RD4-18/30 Frame door - Slim doorleaf
 Front view



0

1002859



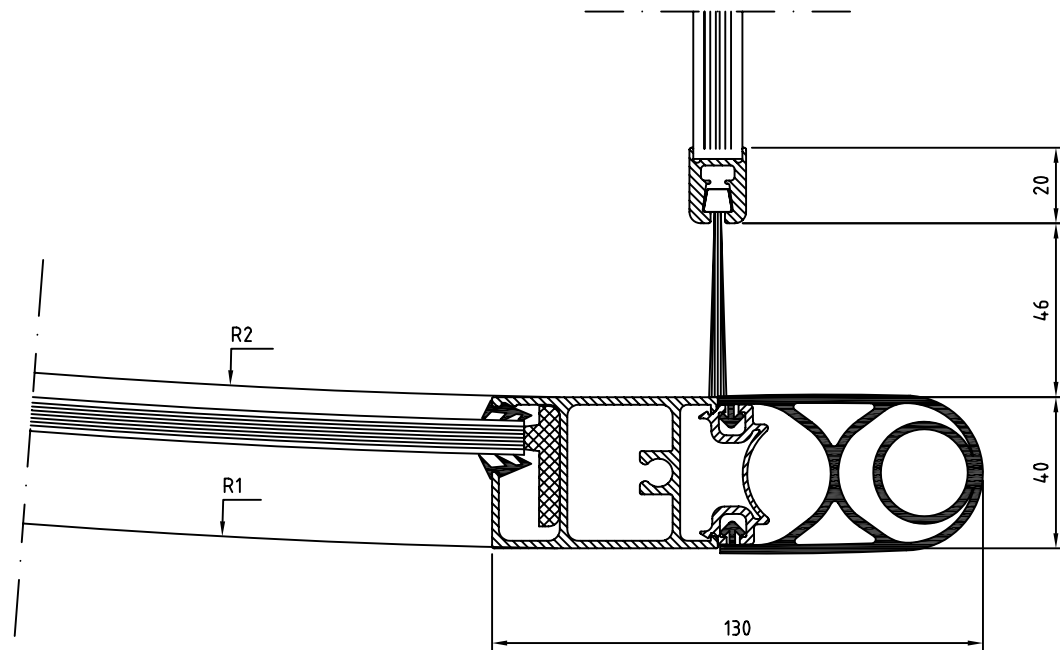
	-18	-21	-24	-27	-30
D	1800	2100	2400	2700	3000
TW	1191	1403	1615	1827	2039
R1	940	1090	1240	1390	1540
R2	900	1050	1200	1350	1500

Revolving door
 RD4-18/30 Frame wall - Slim doorleaf
 Top view

besam

0

1002860



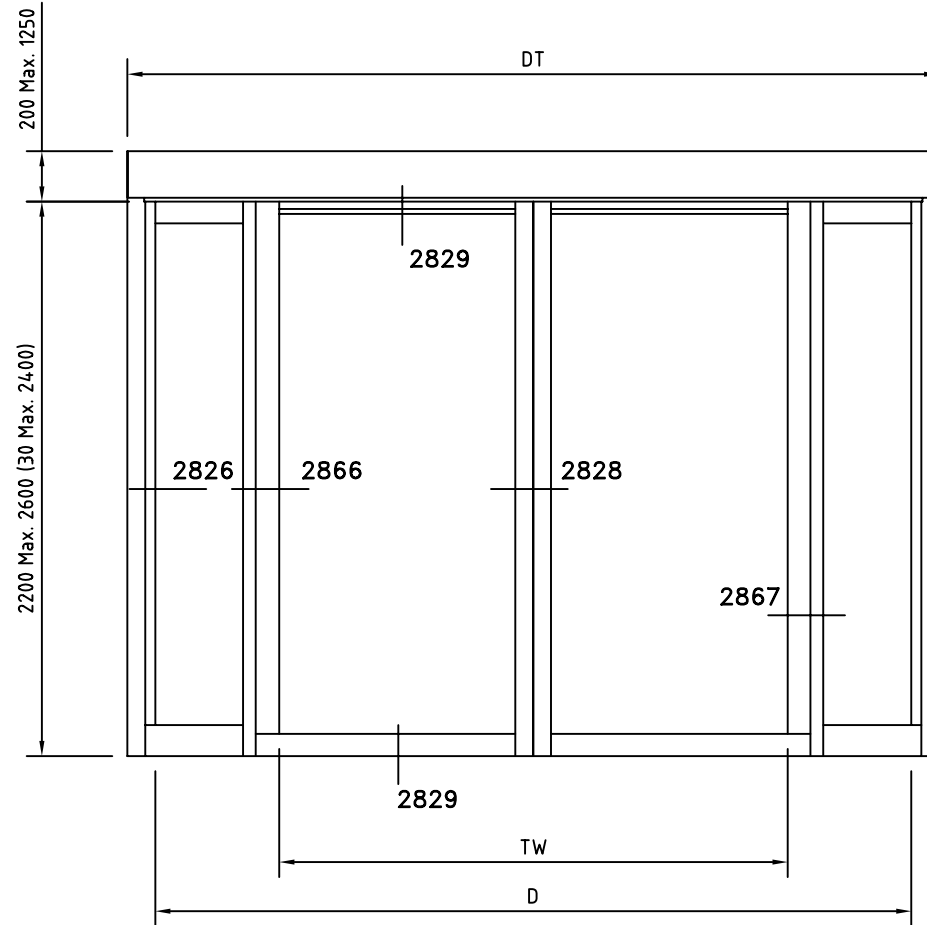
Scale 1:2

Revolving door
RD3/4 Frame wall - Slim doorleaf
Section Door - wall

besam 

0

1002861



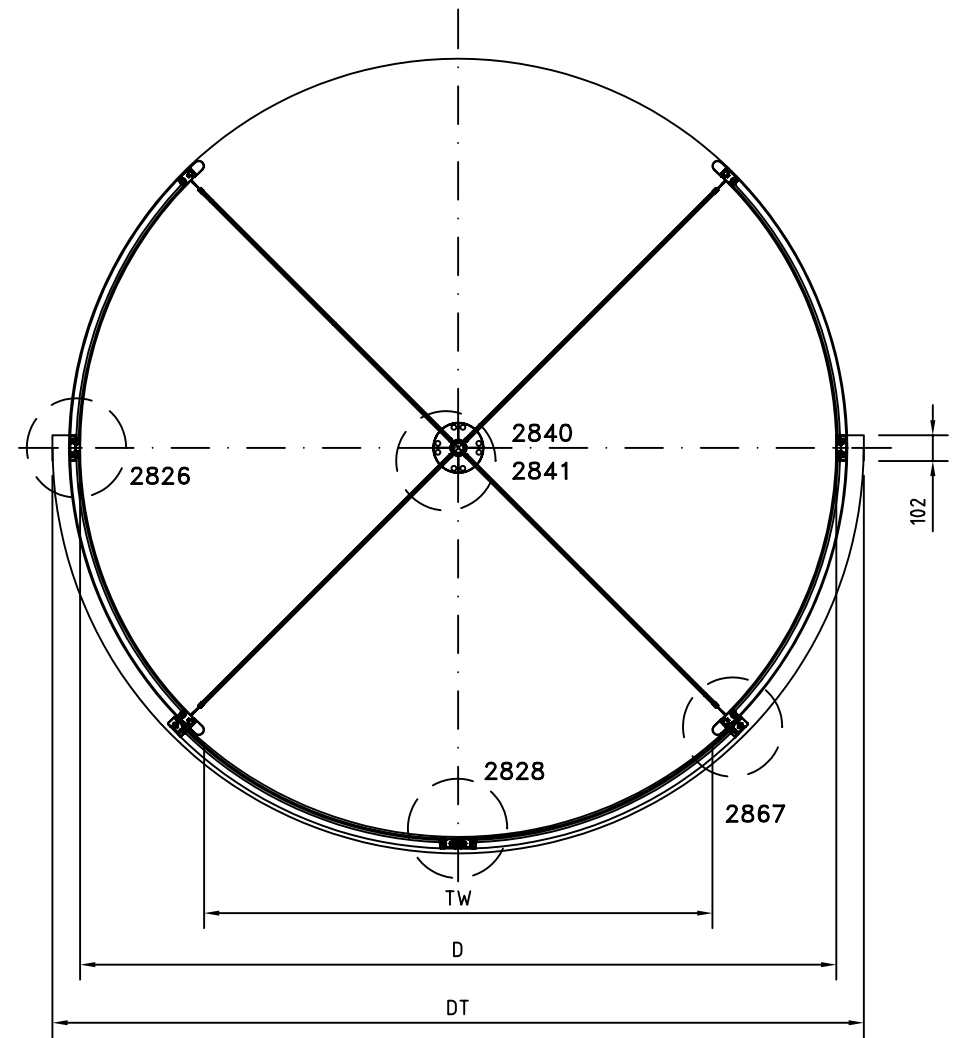
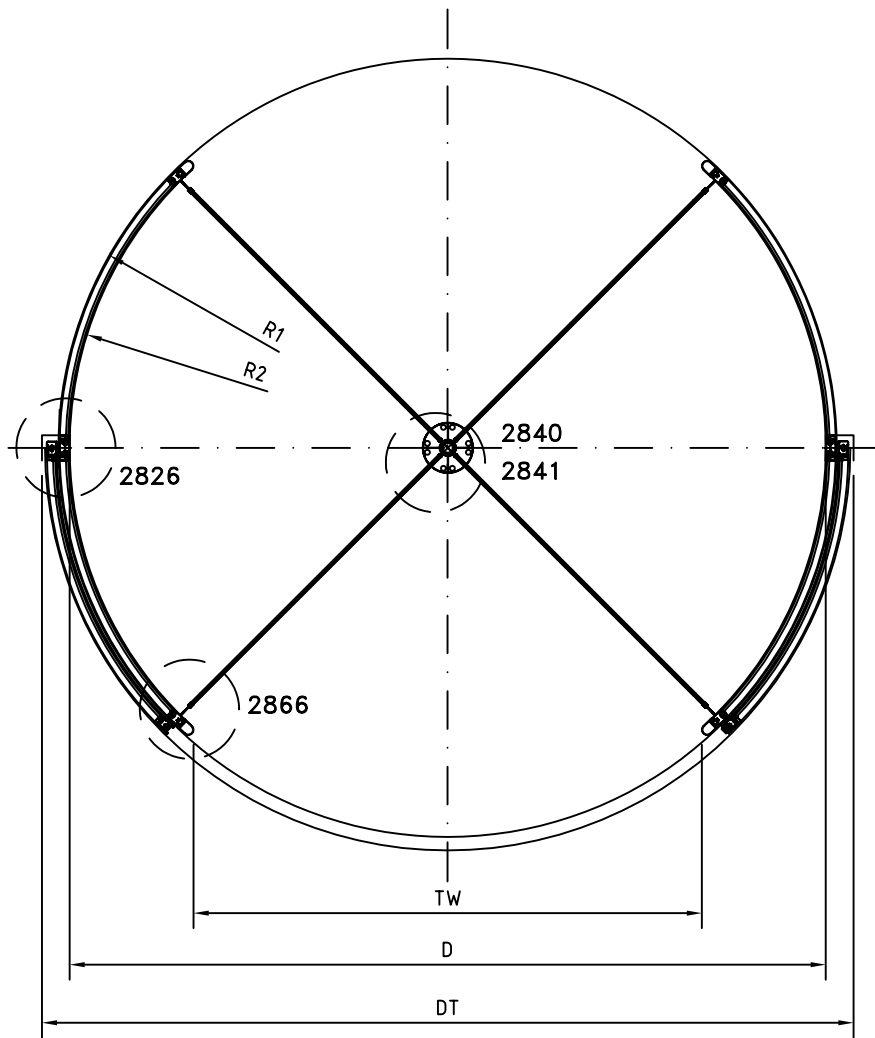
	-18	-21	-24	-27	-30
D	1800	2100	2400	2700	3000
TW	1191	1403	1615	1827	2039
DT	2022	2322	2622	2922	3222

Revolving door
 RD4-18/30 Frame wall - Slim doorleaf NCD
 Front view

besam 

0

1002864



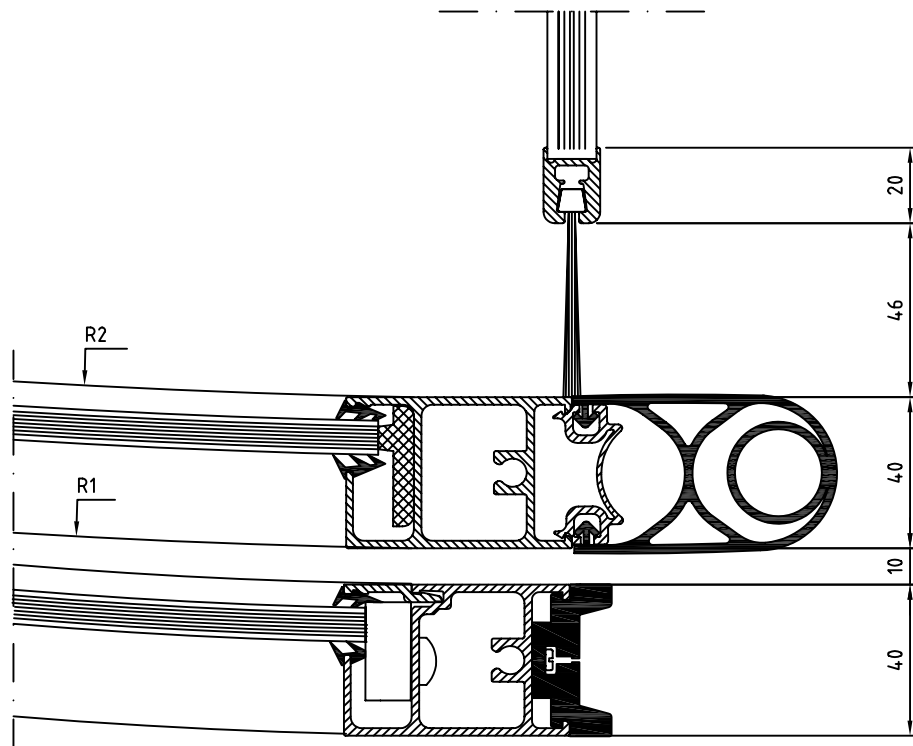
	-18	-21	-24	-27	-30
D	1800	2100	2400	2700	3000
TW	1191	1403	1615	1827	2039
DT	2022	2322	2622	2922	3222
R1	940	1090	1240	1390	1540
R2	900	1050	1200	1350	1500

Revolving door
 RD4-18/30 Frame wall - Slim doorleaf NCD
 Top view



0

1002865



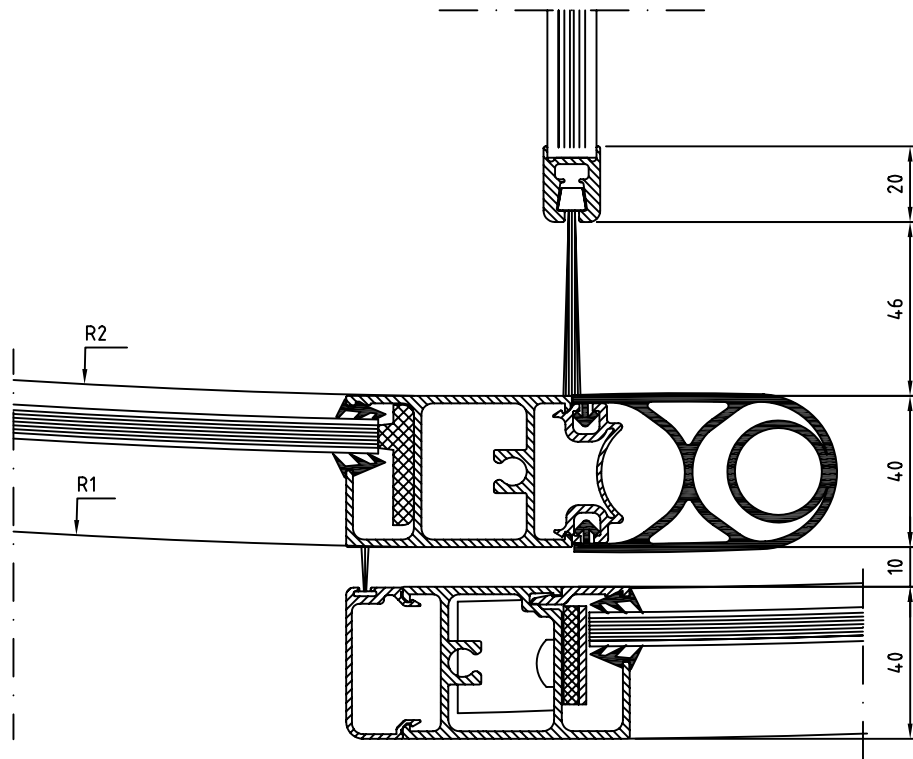
Scale 1:2

Revolving door
RD3/4 Frame wall - Slim dorreleaf NCD
Section door - wall

besam 

0

1002866



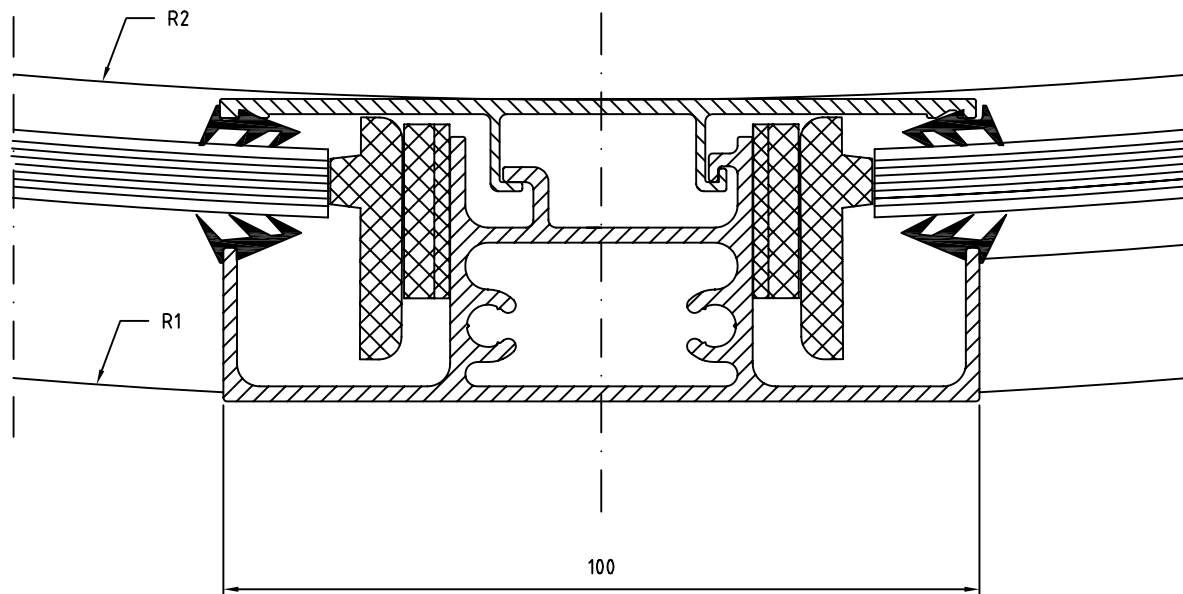
Scale 1:2

Revolving door
RD3/4 Frame wall - Slim doorleaf NCD
Section door-wall

besam 

0

1002867



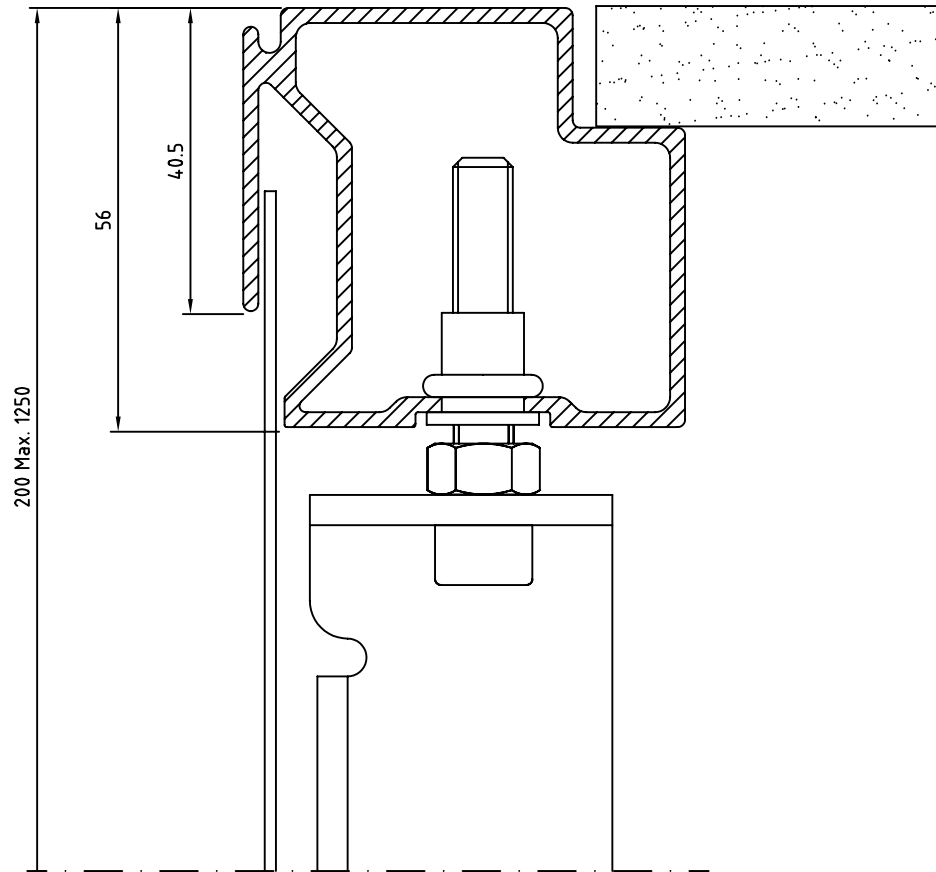
Scale 1:1

Revolving door
RD3/4 Frame
Section Wall mullion

besam 

1

1002810



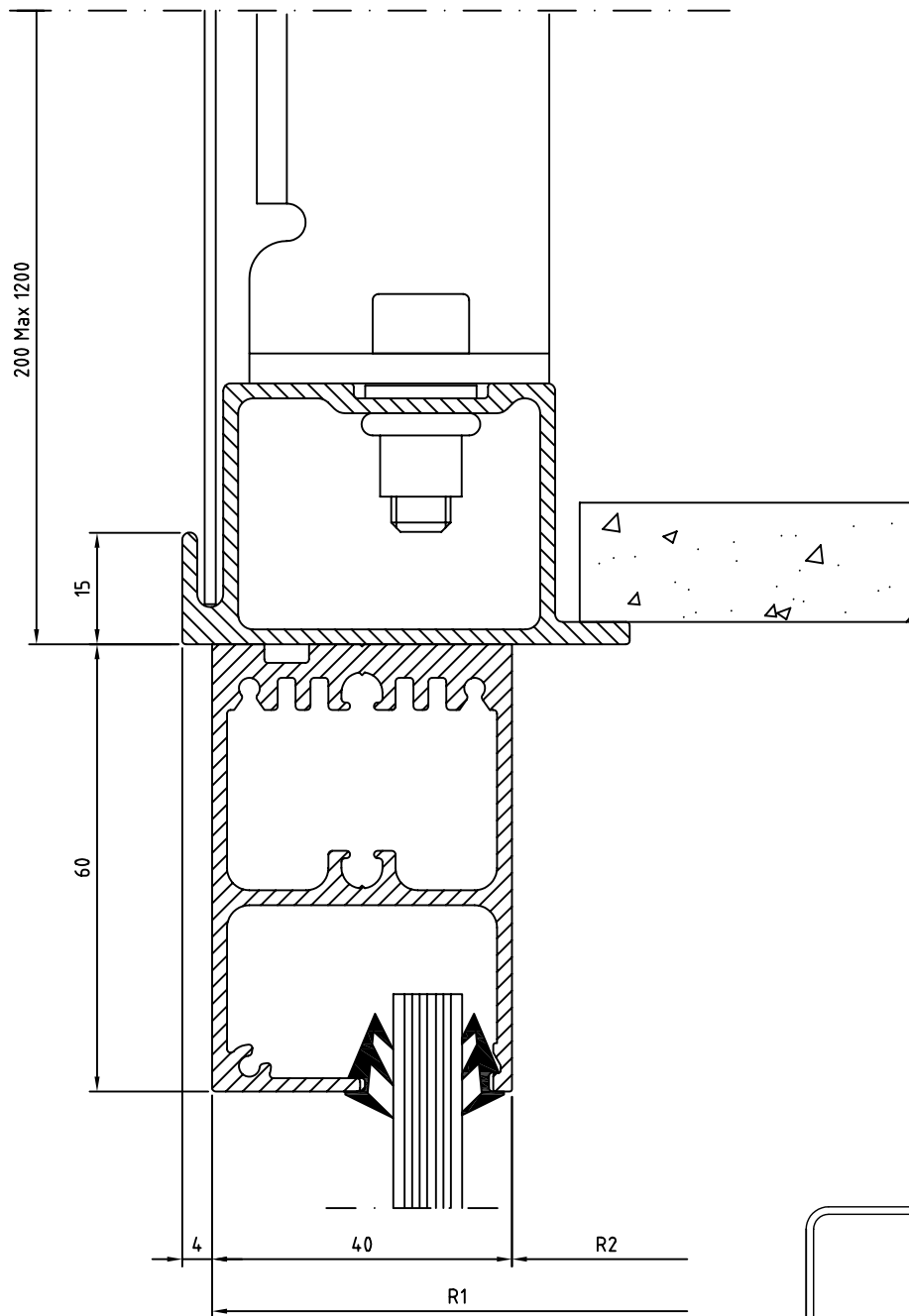
Scale 1:1

Revolving door
RD3/4 Frame
Section Top of fascia

besam 

1

1002812



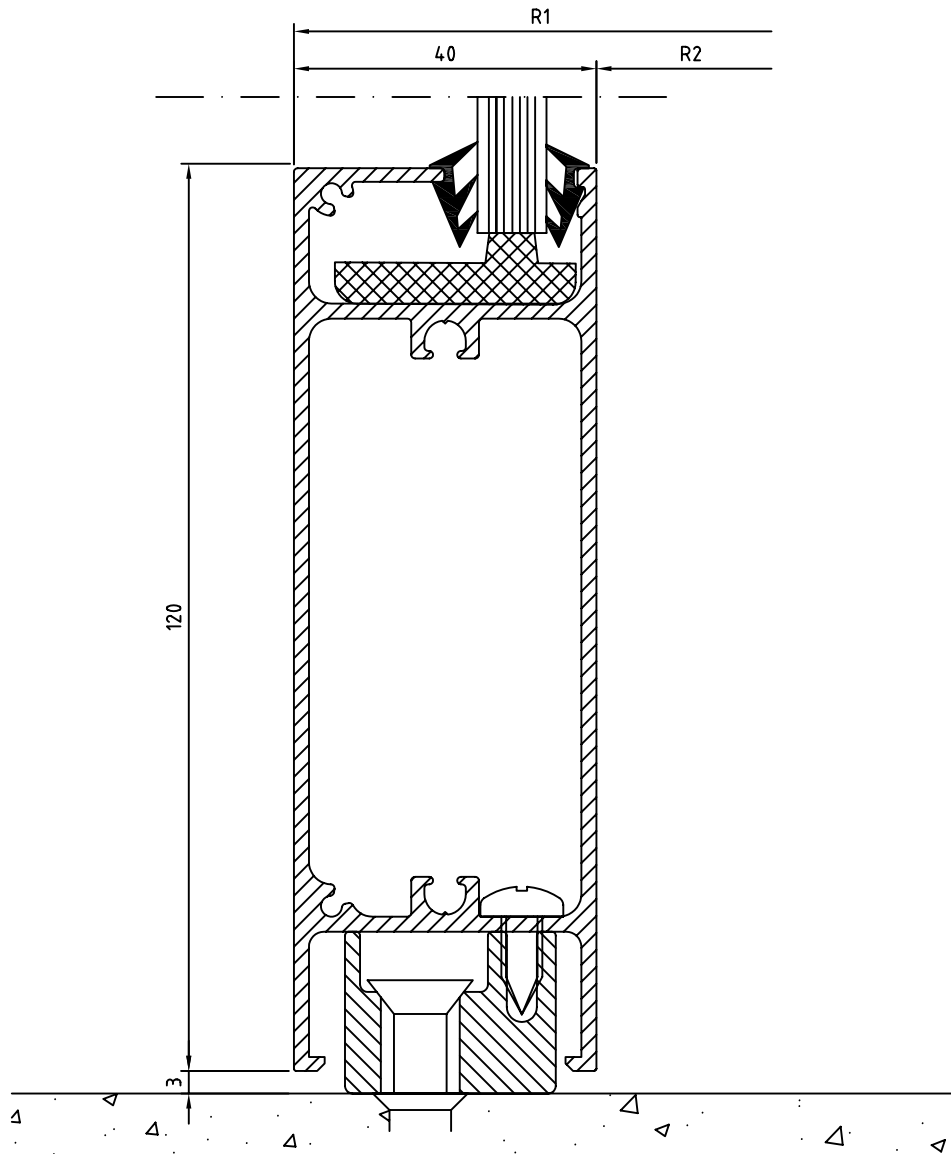
Scale 1:1

Revolving door
 RD3/4 Frame
 Section Outer wall - fascia



1

1002813



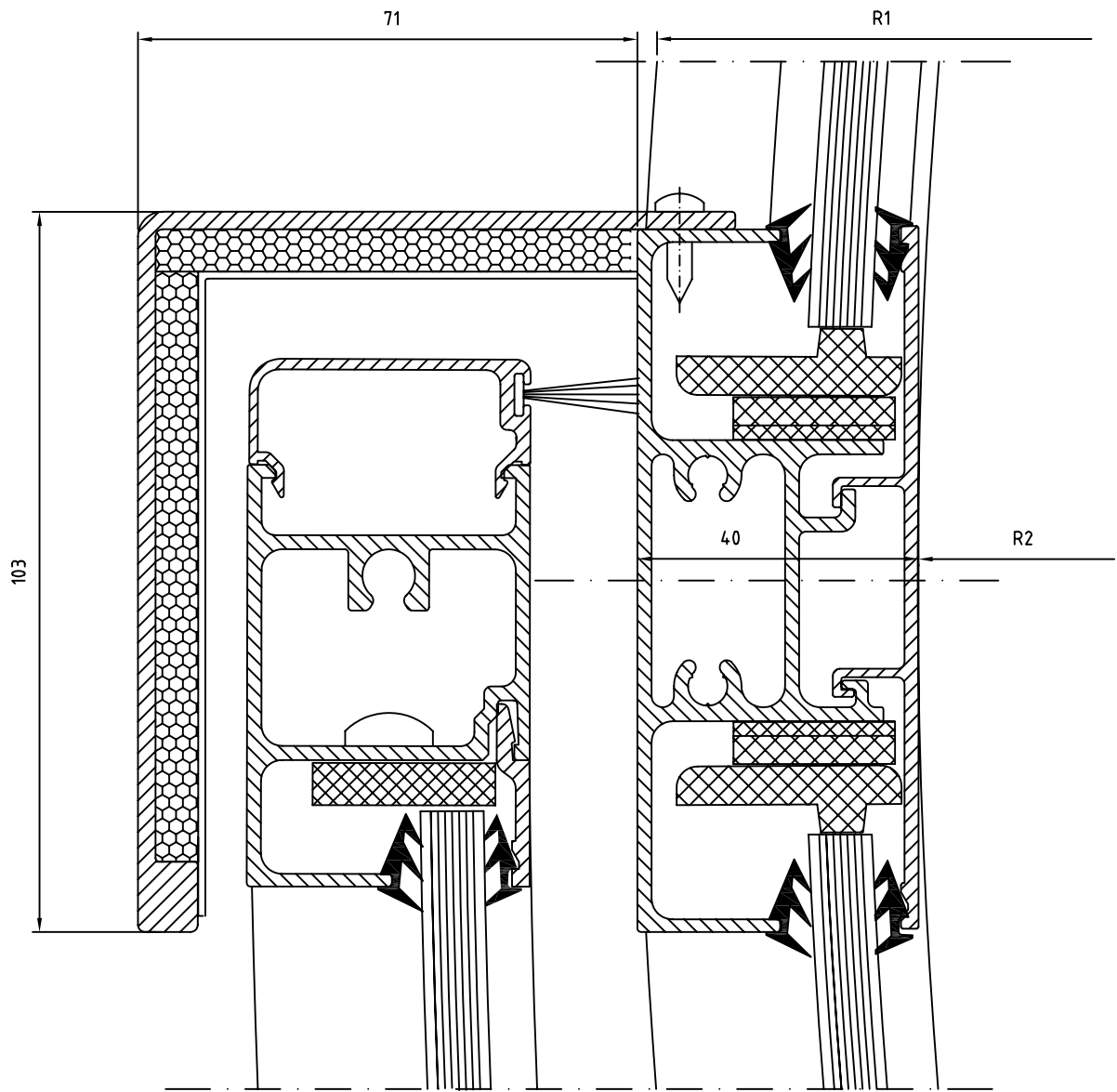
Scale 1:1

Revolving door
RD3/4 Frame
Section Bottom - outer wall

besam

1

1002814



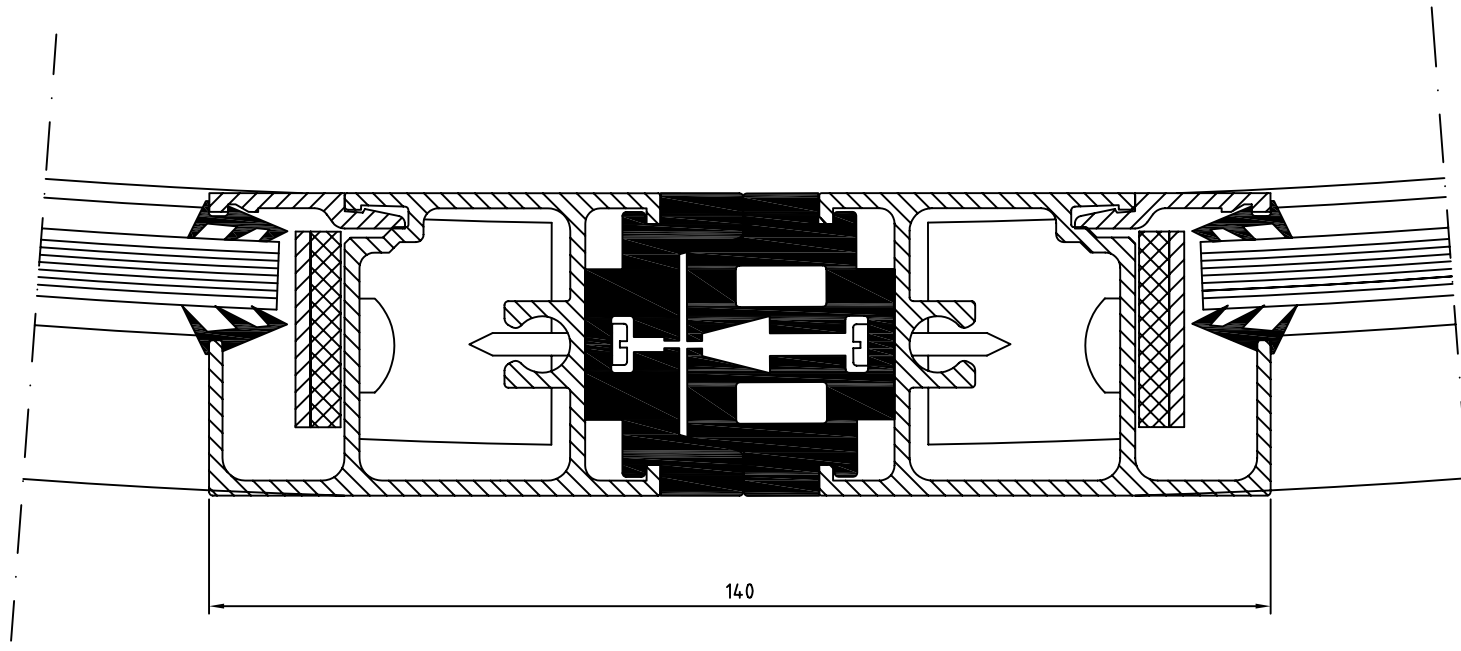
Scale 1:1

Revolving door
 RD3/4 Frame NCD
 Section NCD slam post



1

1002826



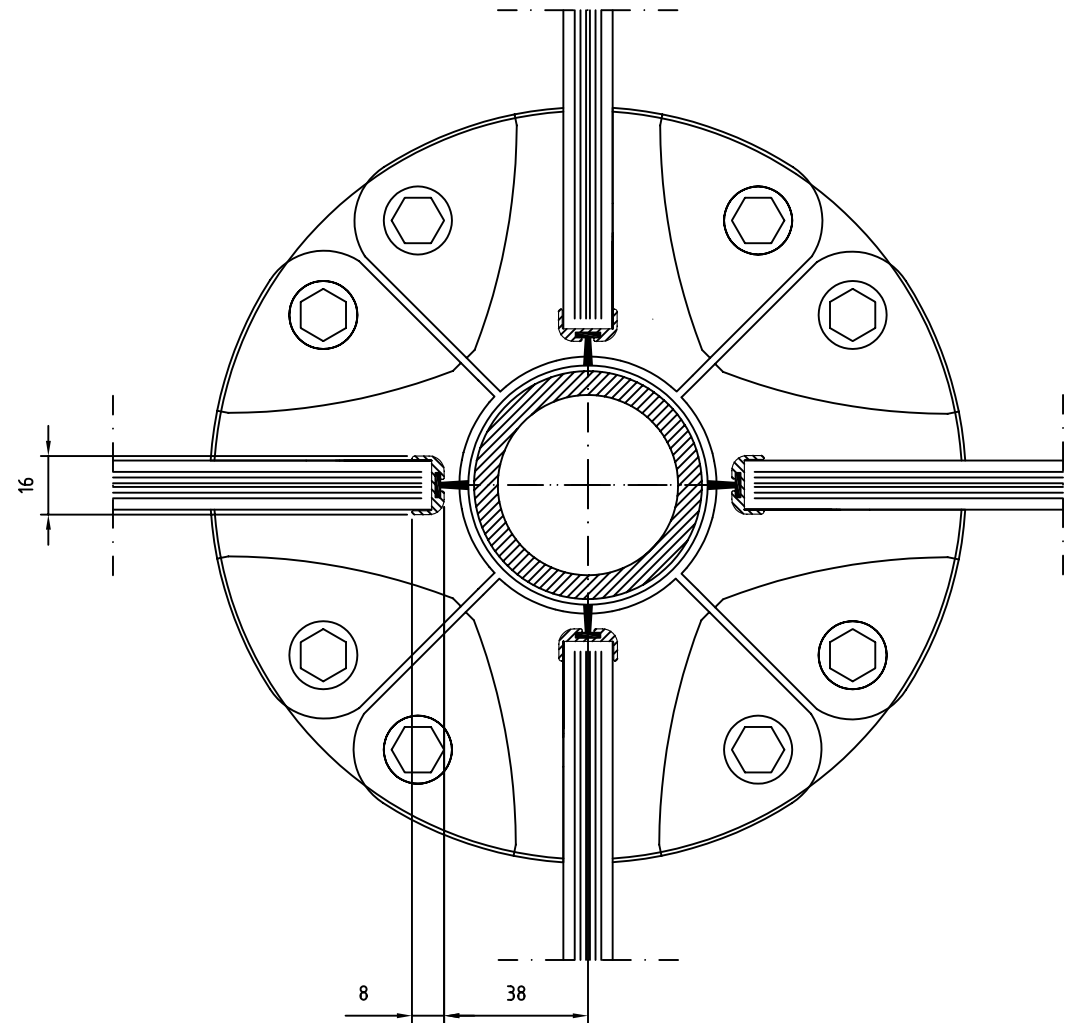
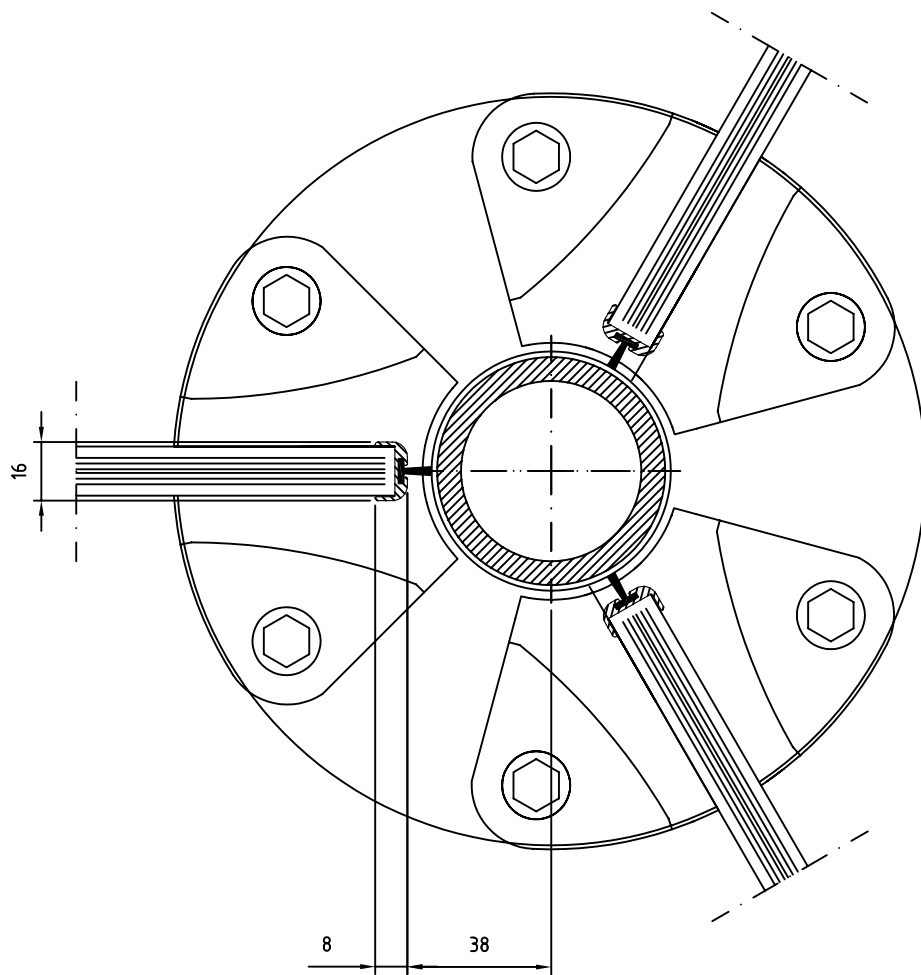
Scale 1:1

Revolving door
RD3/4 Frame NCD
Section NCD - NCD

besam 

1

1002828



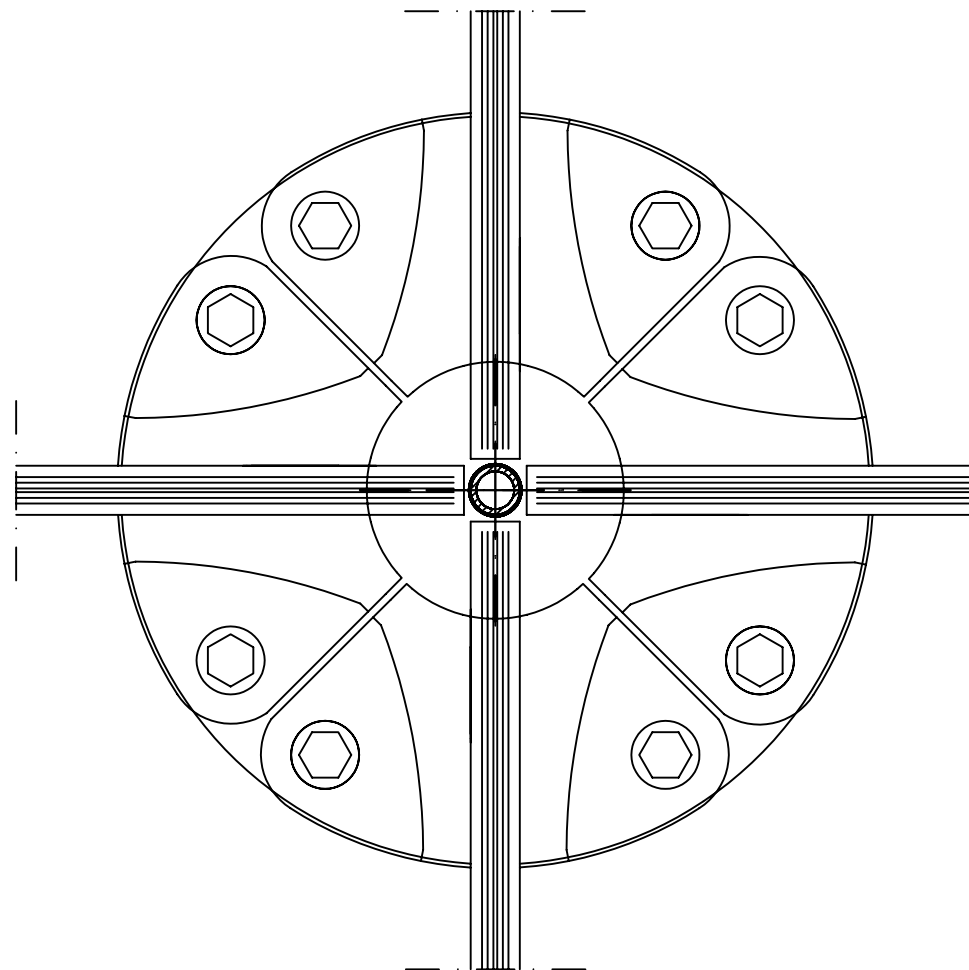
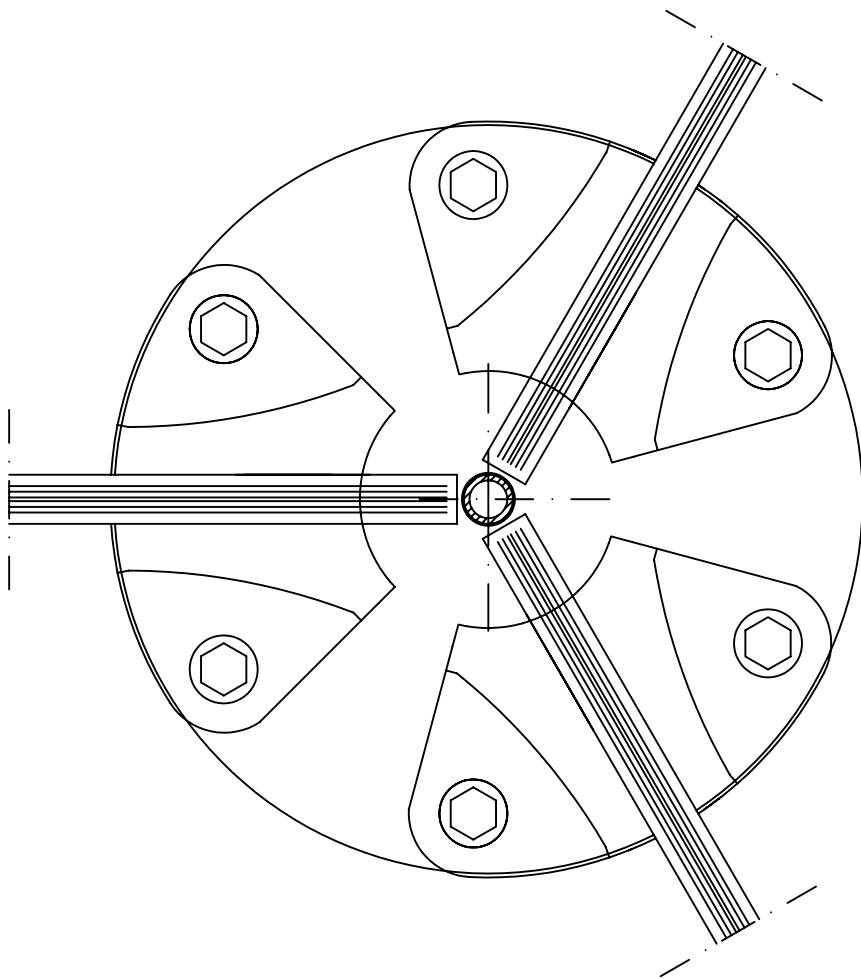
Scale 1:2

Revolving door
RD3/4 Slim
Section Center shaft - door

besam 

1

1002840



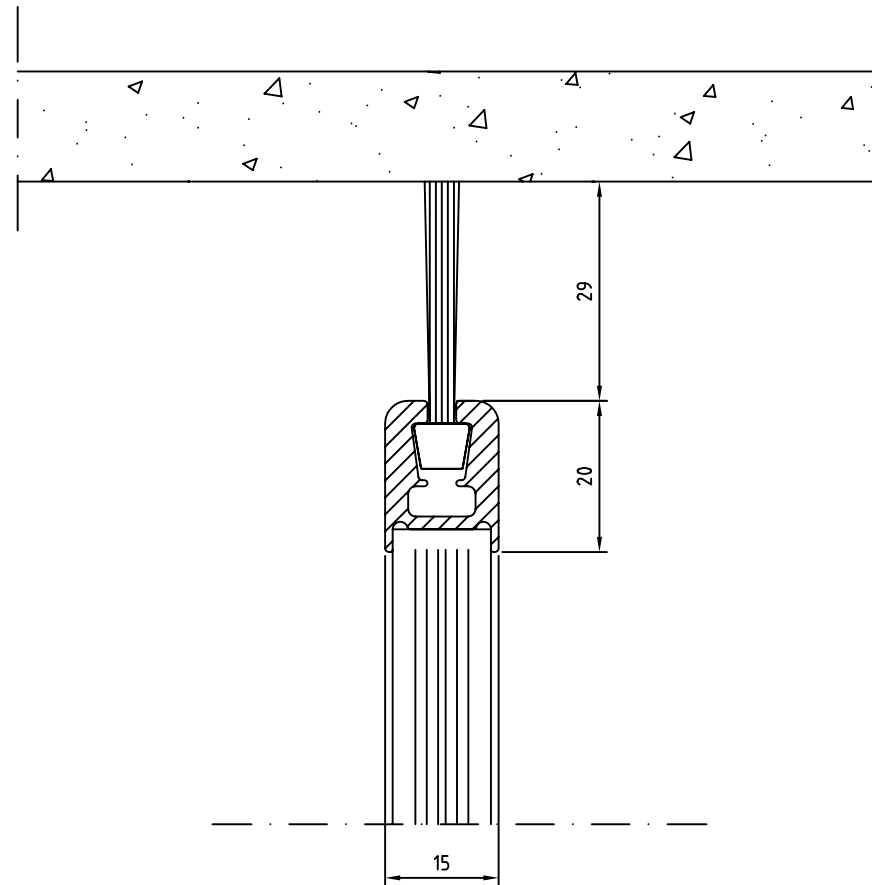
Scale 1:2

Revolving door
RD3/4 Slim centerless
Section Center shaft - door

besam 

1

1002841



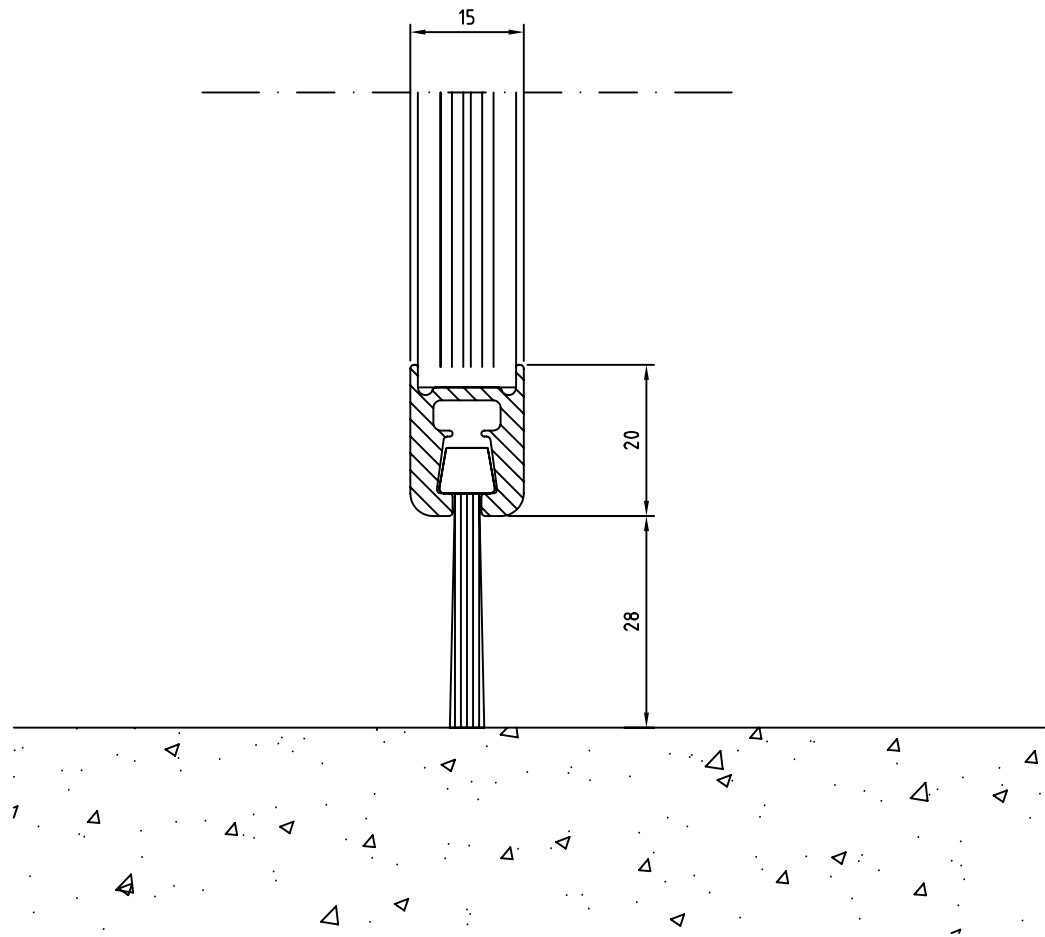
Scale 1:1

Revolving door
RD3/4 Slim
Section Ceiling - door

besam 

1

1002845



Scale 1:1

Revolving door
RD3/4 Slim
Section Floor - door



1

1002846