

	RD3/4-18	RD3/4-21	RD3/4-24	RD3/4-27	RD3/4-30	RD3/4-36
DF	1890	2190	2490	2790	3090	3690
RW	940	1090	1240	1390	1540	1840
Frame R11	906	1056	1206	1356	1506	1806
Slim R11	904	1054	1204	1354	1504	1804
RD3 W1	300	330	380	430	480	580
W2	120	140	160	180	200	240
RD4 W1	250	280	330	380	430	530
W2	170	190	210	230	250	290

W1 = Weight (kg) distributed over the fixing rail  
W2 = Weight (kg) distributed over the base plate

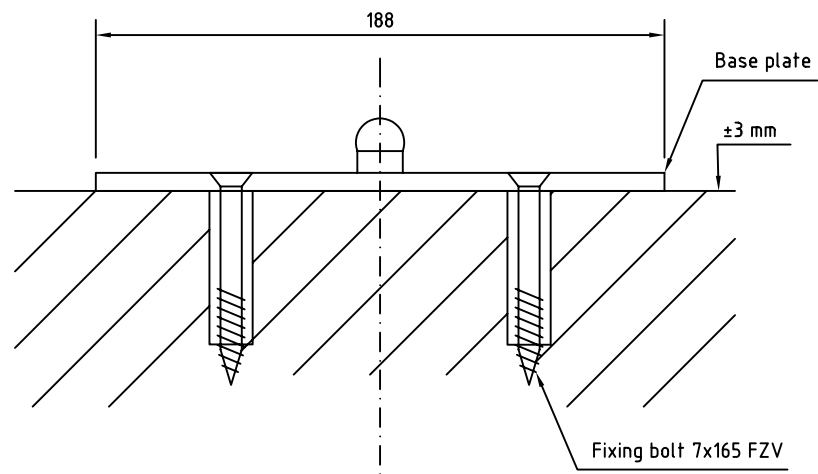
Revolving door RD3/4  
Floor preparation

**besam** 

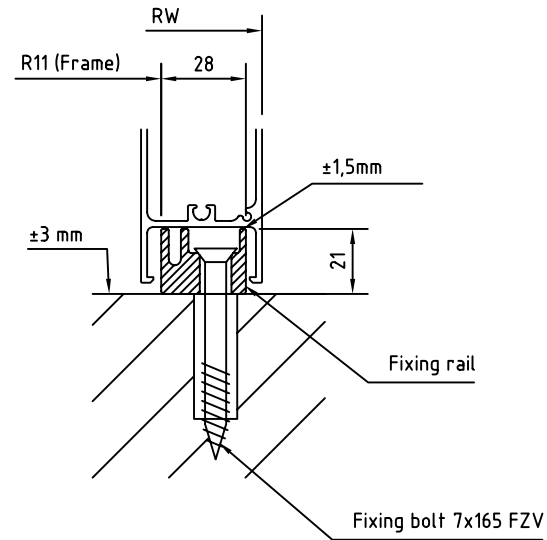
For details see dwg. 1002800

2

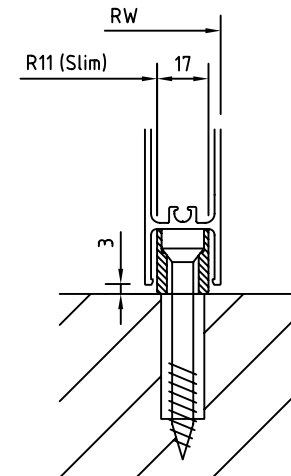
1002799



A-A



B-B  
Frame



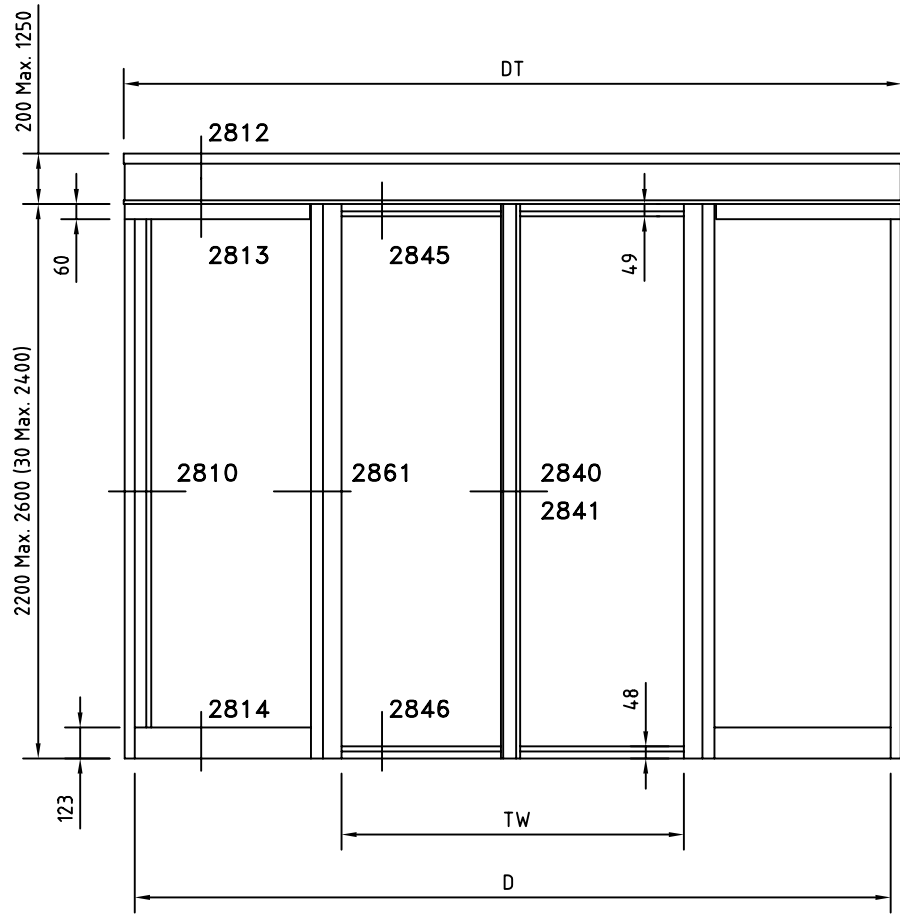
B-B  
Slim

Revolving door RD3/4  
Floor preparation  
Details

besam 

2

1002800

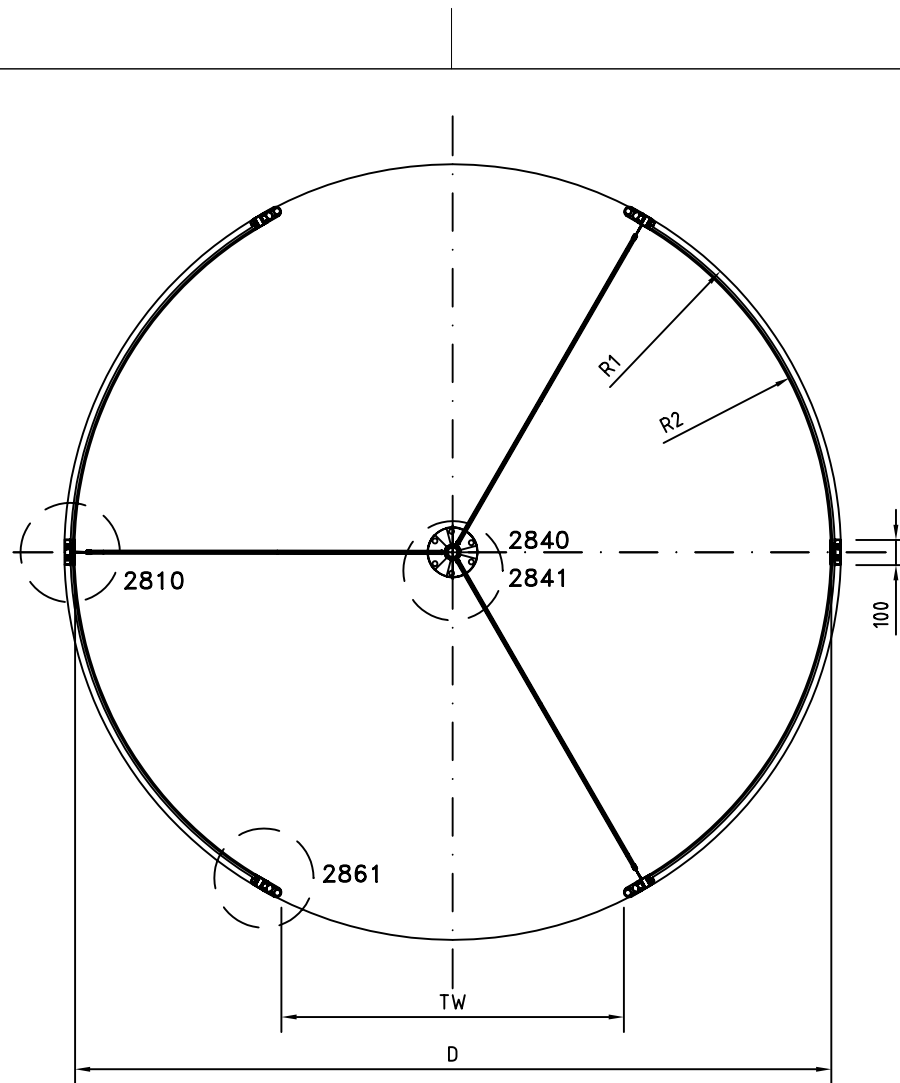


	-18	-21	-24	-27	-30
<b>D</b>	1800	2100	2400	2700	3000
<b>TW</b>	793	943	1093	1243	1393
<b>DT</b>	1888	2188	2488	2788	3088

Revolving door  
 RD3-18/30 Frame wall - Slim doorleaf  
 Front view

**besam** 

0 1002857



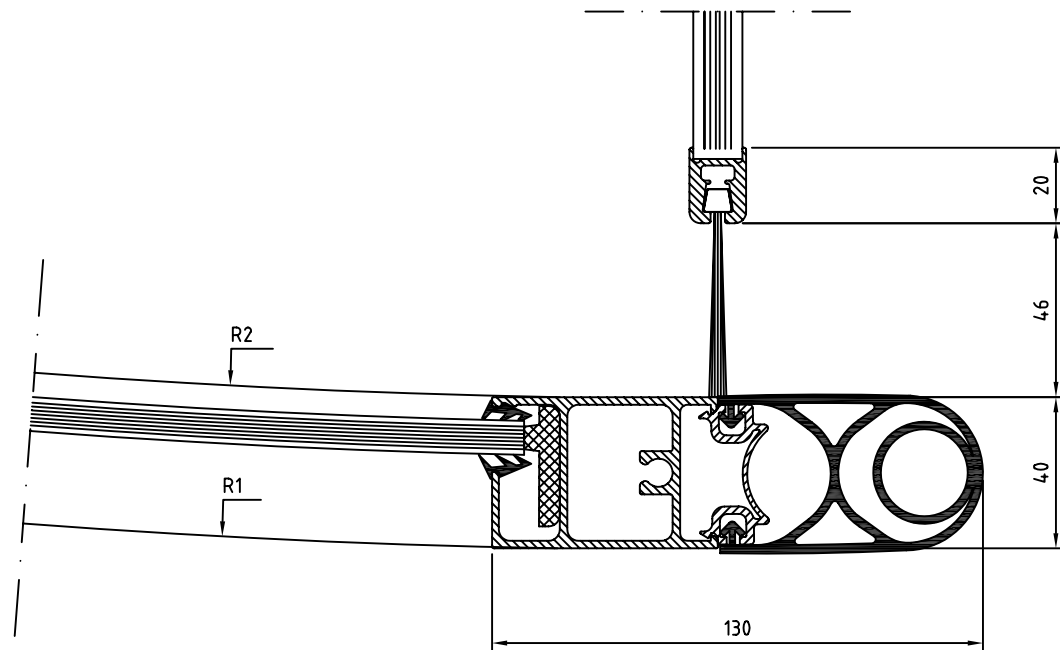
	-18	-21	-24	-27	-30
<b>D</b>	1800	2100	2400	2700	3000
<b>TW</b>	793	943	1093	1243	1393
<b>R1</b>	940	1090	1240	1390	1540
<b>R2</b>	900	1050	1200	1350	1500

Revolving door  
 RD3-18/30 Frame wall - Slim doorleaf  
 Top view

**besam** 

0

1002858



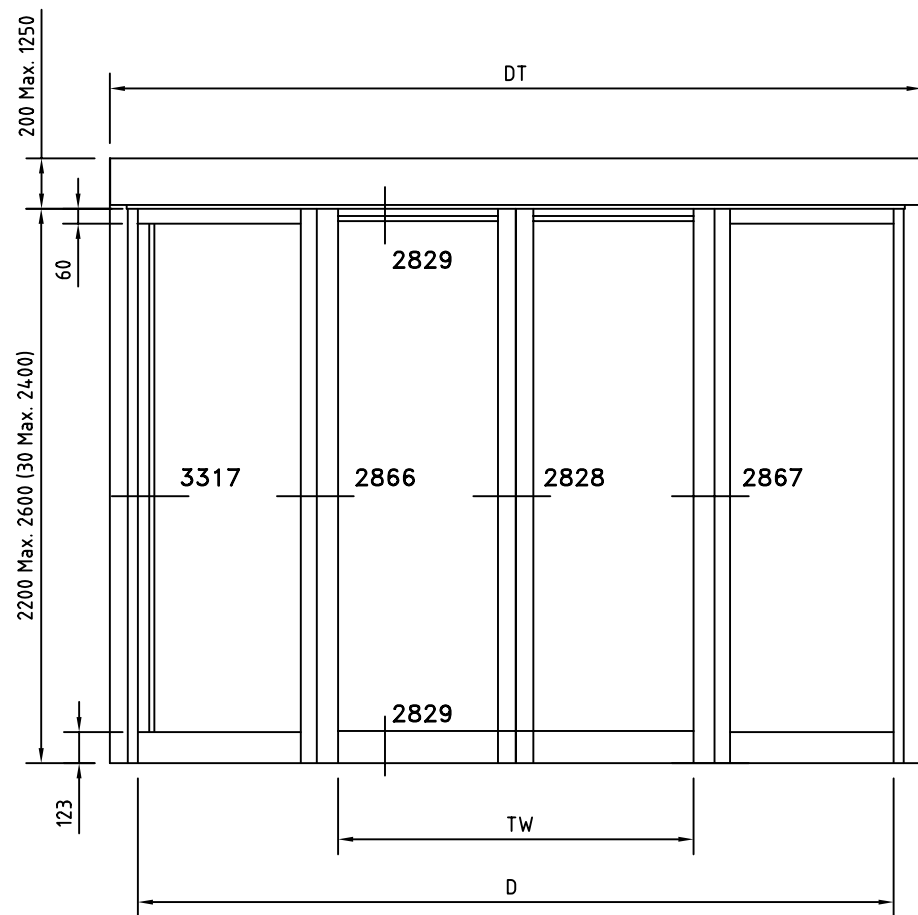
Scale 1:2

Revolving door  
RD3/4 Frame wall - Slim doorleaf  
Section Door - wall

**besam** 

0

1002861



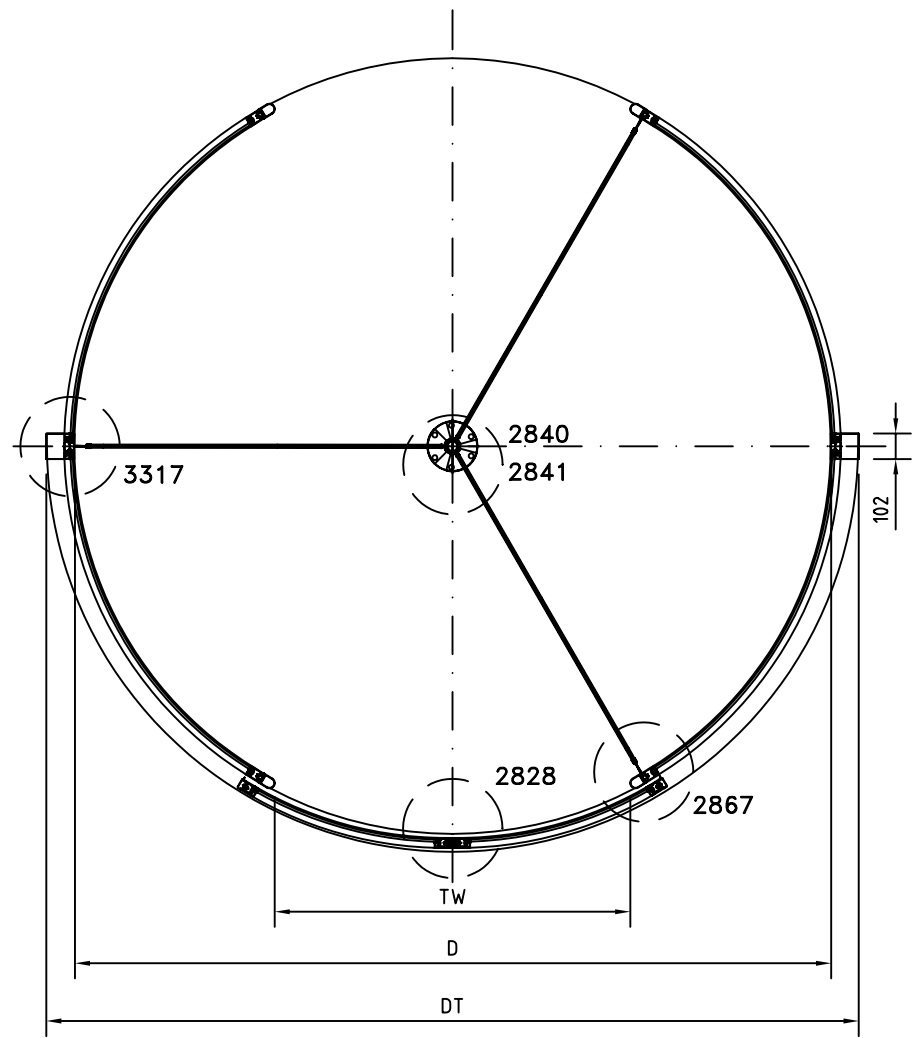
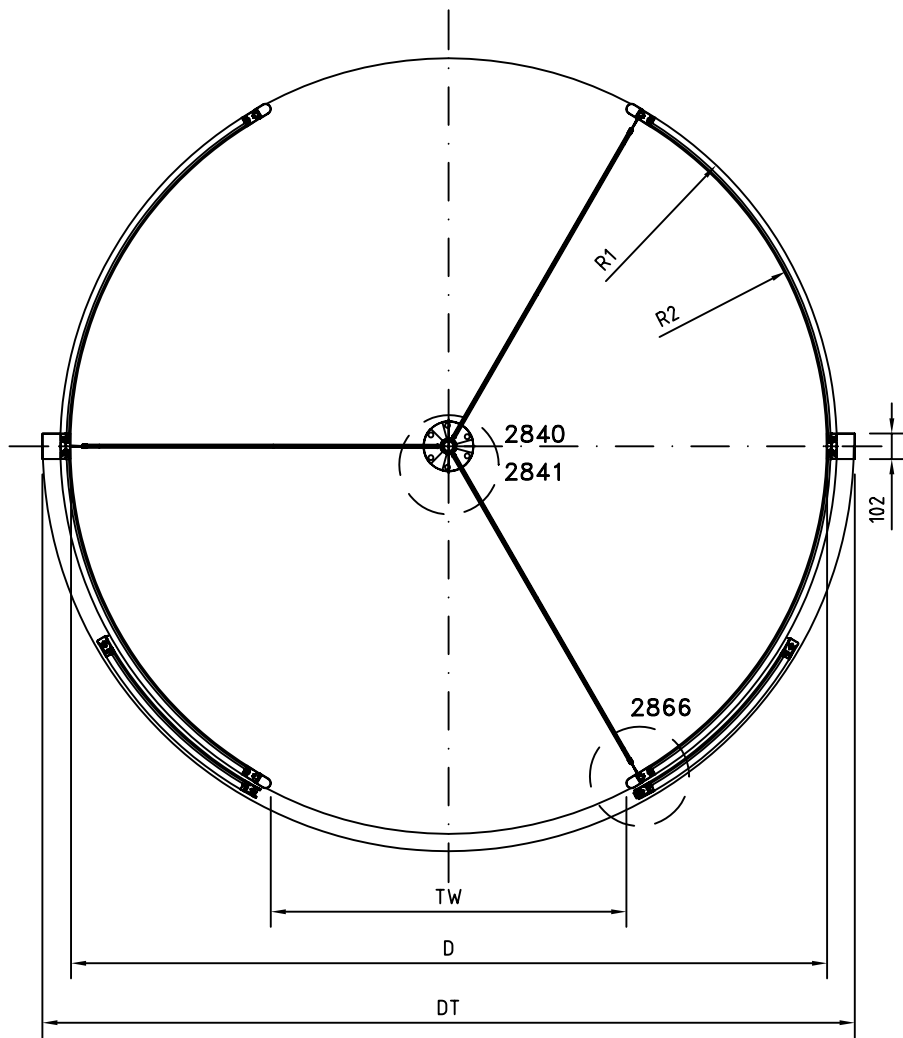
	-18	-21	-24	-27	-30
<b>D</b>	1800	2100	2400	2700	3000
<b>TW</b>	793	943	1093	1243	1393
<b>DT</b>	2022	2322	2622	2922	3222

Revolving door  
 RD3-18/30 Frame wall - Slim doorleaf NCD  
 Front view

**besam** 

0

1002862



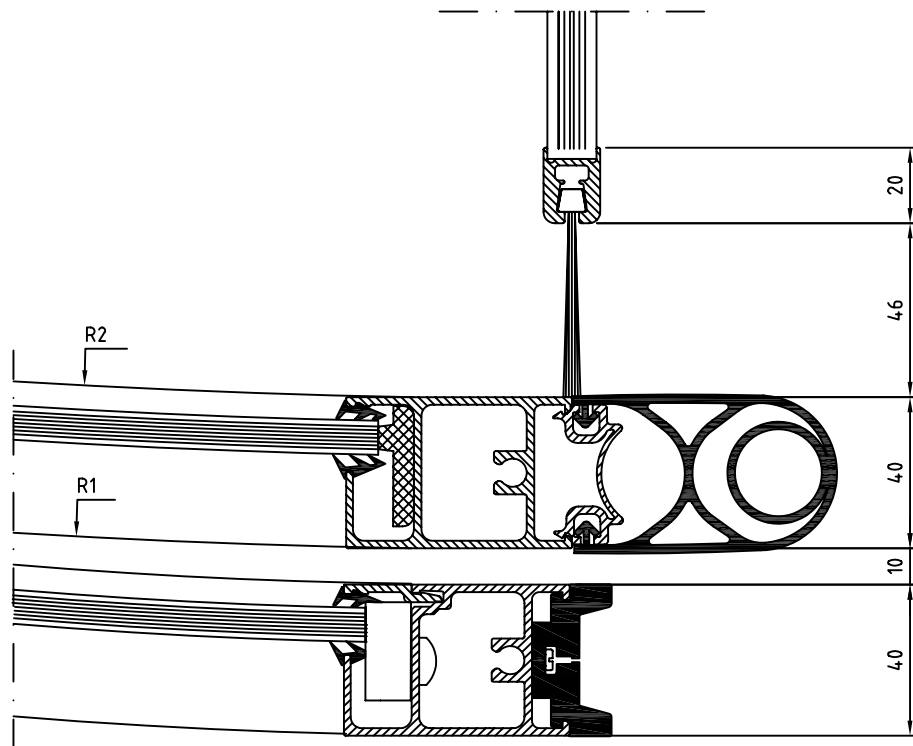
	-18	-21	-24	-27	-30
D	1800	2100	2400	2700	3000
TW	793	943	1093	1243	1393
DT	2022	2322	2622	2922	3222
R1	940	1090	1240	1390	1540
R2	900	1050	1200	1350	1500

Revolving door  
RD3-18/30 Frame wall - Slim doorleaf NCD  
Top view

besam 

0

1002863



Scale 1:2

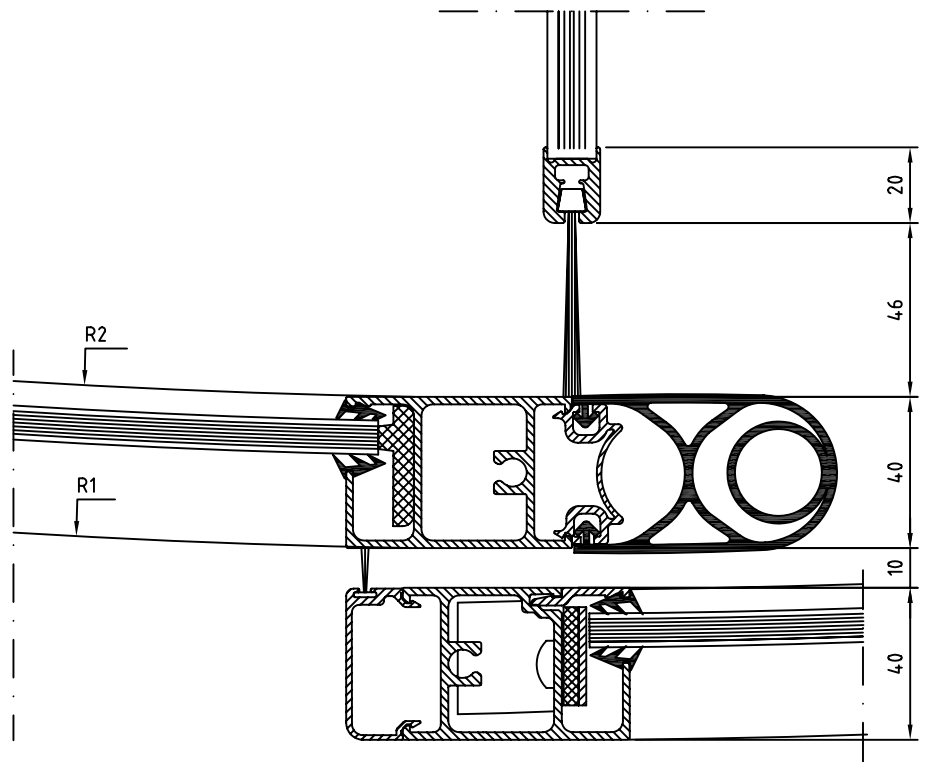
Revolving door  
RD3/4 Frame wall - Slim dorreleaf NCD  
Section door - wall

**besam** 

0

1002866





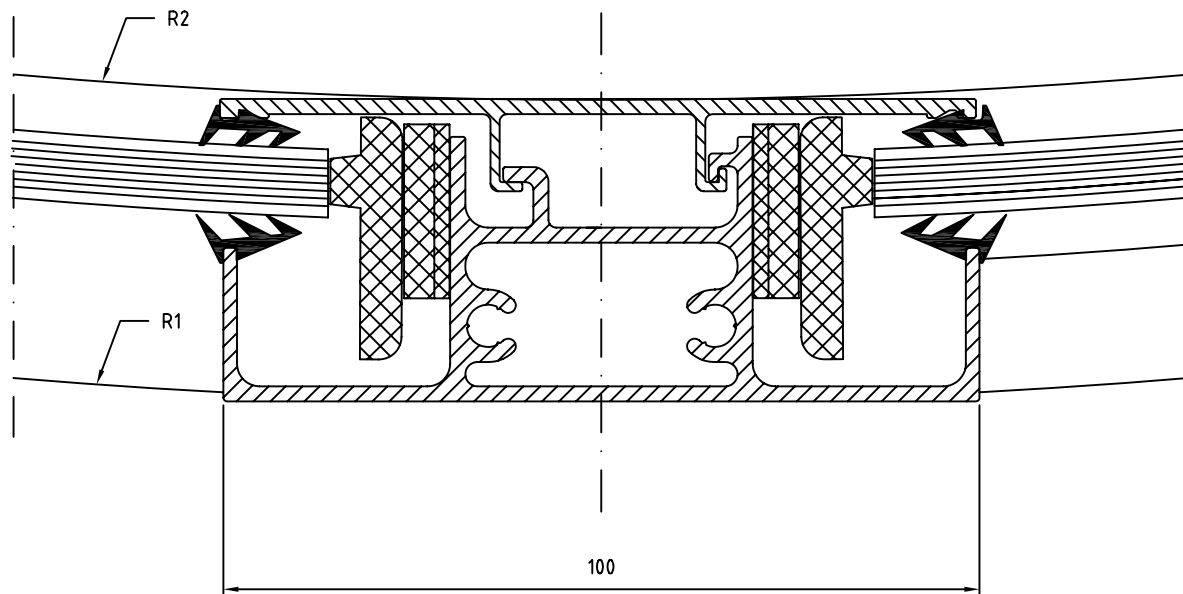
Scale 1:2

Revolving door  
RD3/4 Frame wall - Slim doorleaf NCD  
Section door-wall



0

1002867



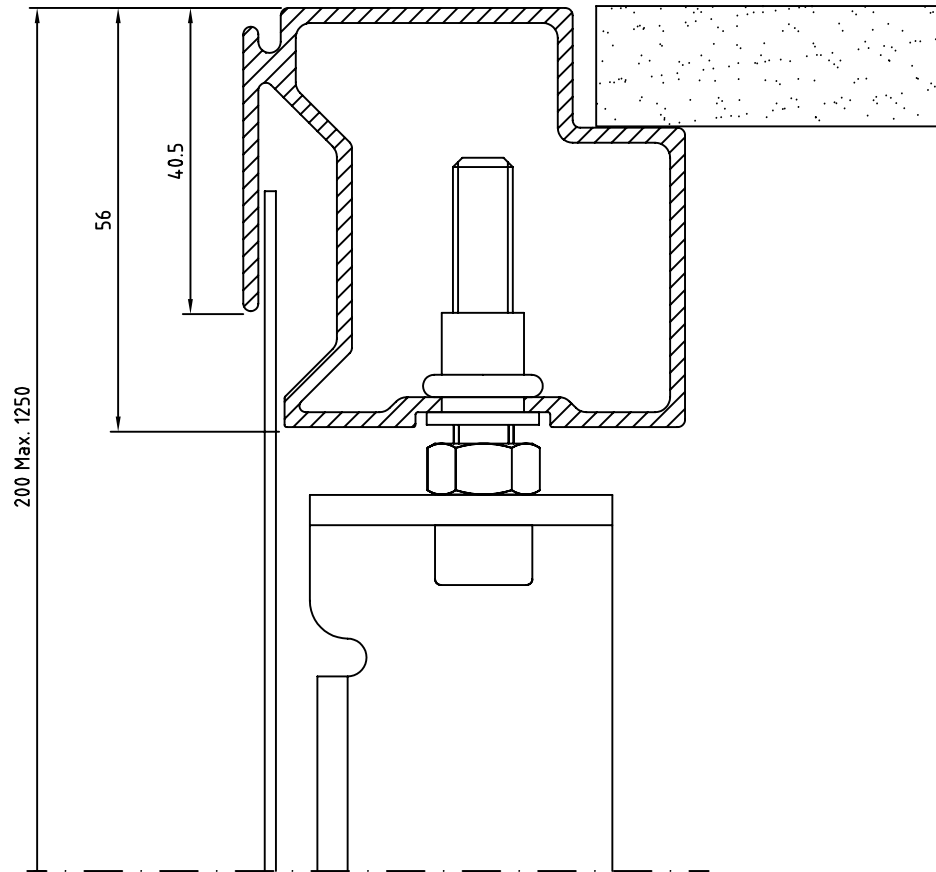
Scale 1:1

Revolving door  
RD3/4 Frame  
Section Wall mullion

**besam** 

1

1002810



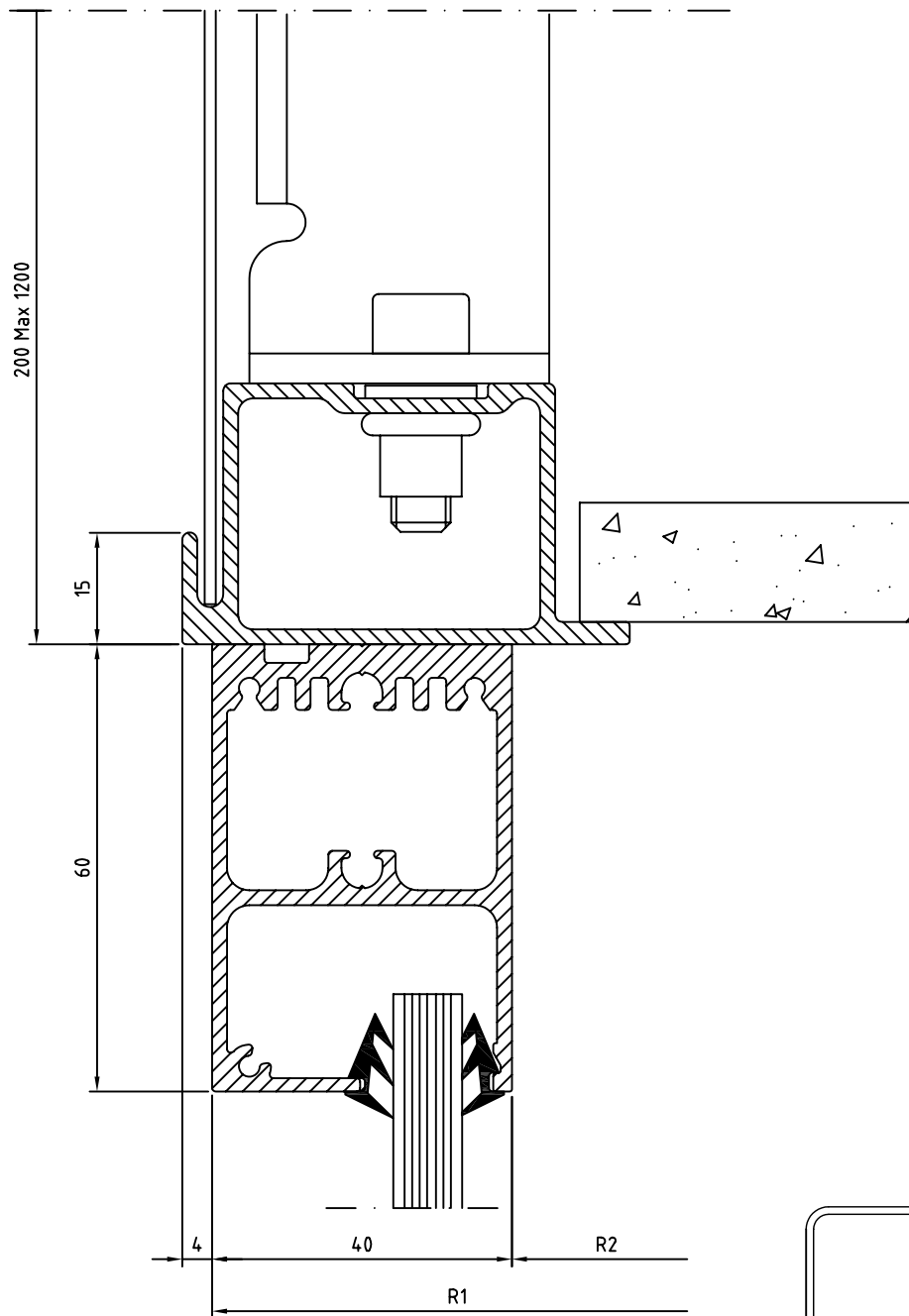
Scale 1:1

Revolving door  
RD3/4 Frame  
Section Top of fascia

**besam** 

1

1002812



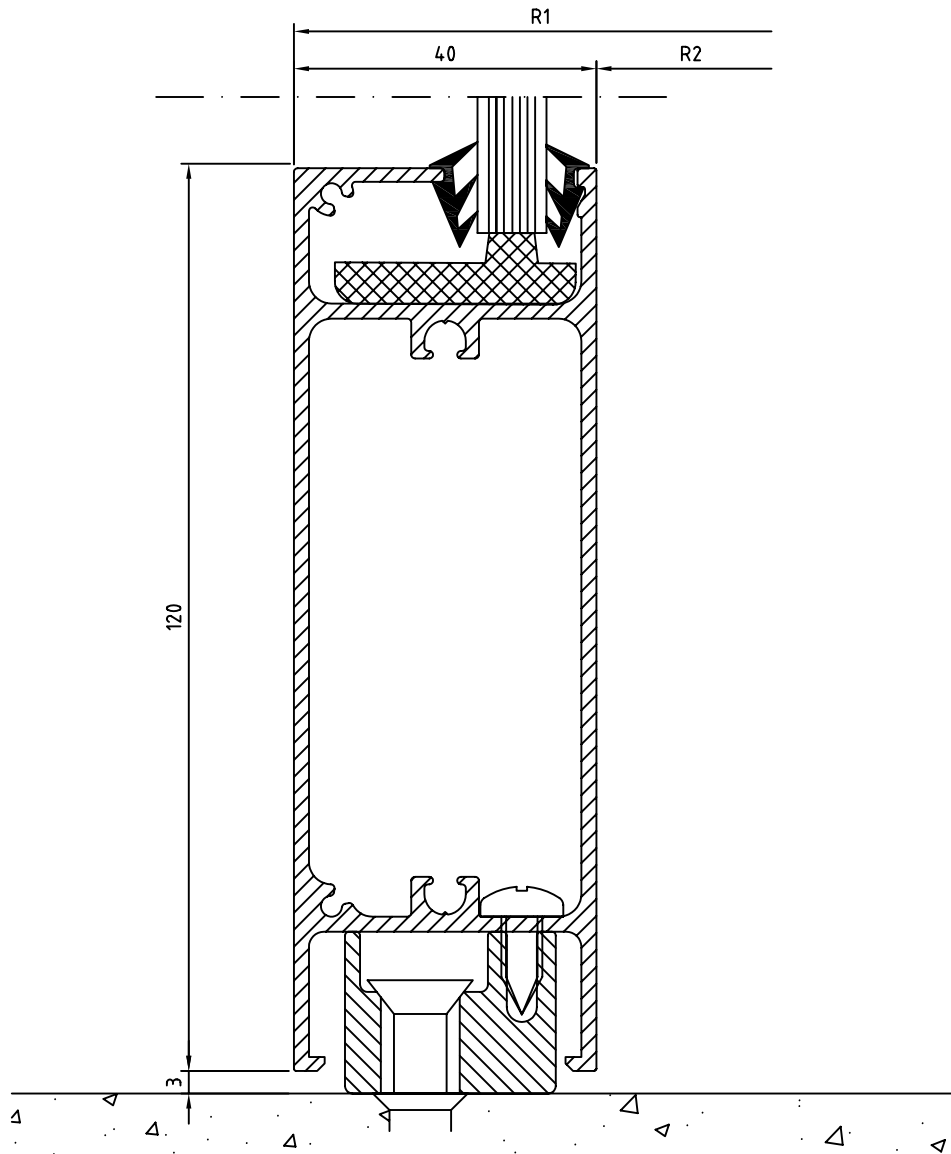
Scale 1:1

Revolving door  
RD3/4 Frame  
Section Outer wall - fascia



1

1002813



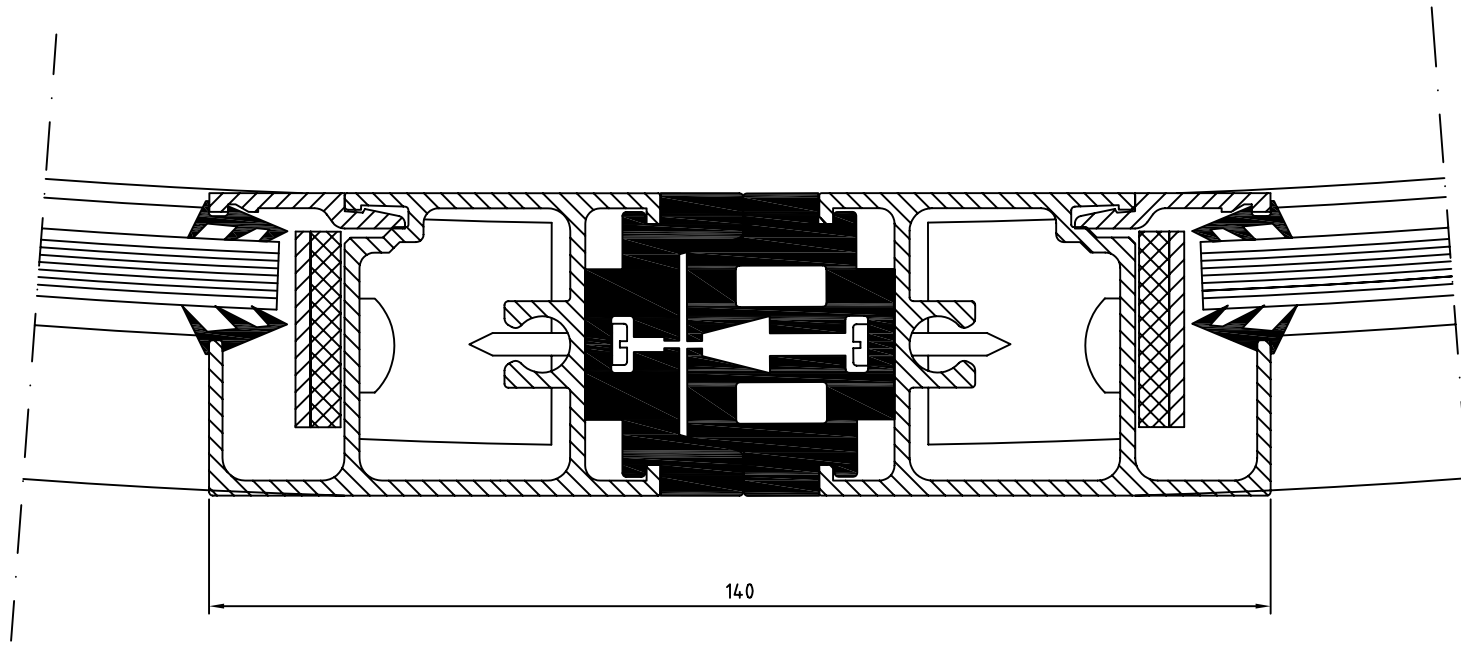
Scale 1:1

Revolving door  
RD3/4 Frame  
Section Bottom - outer wall

**besam** 

1

1002814



Scale 1:1

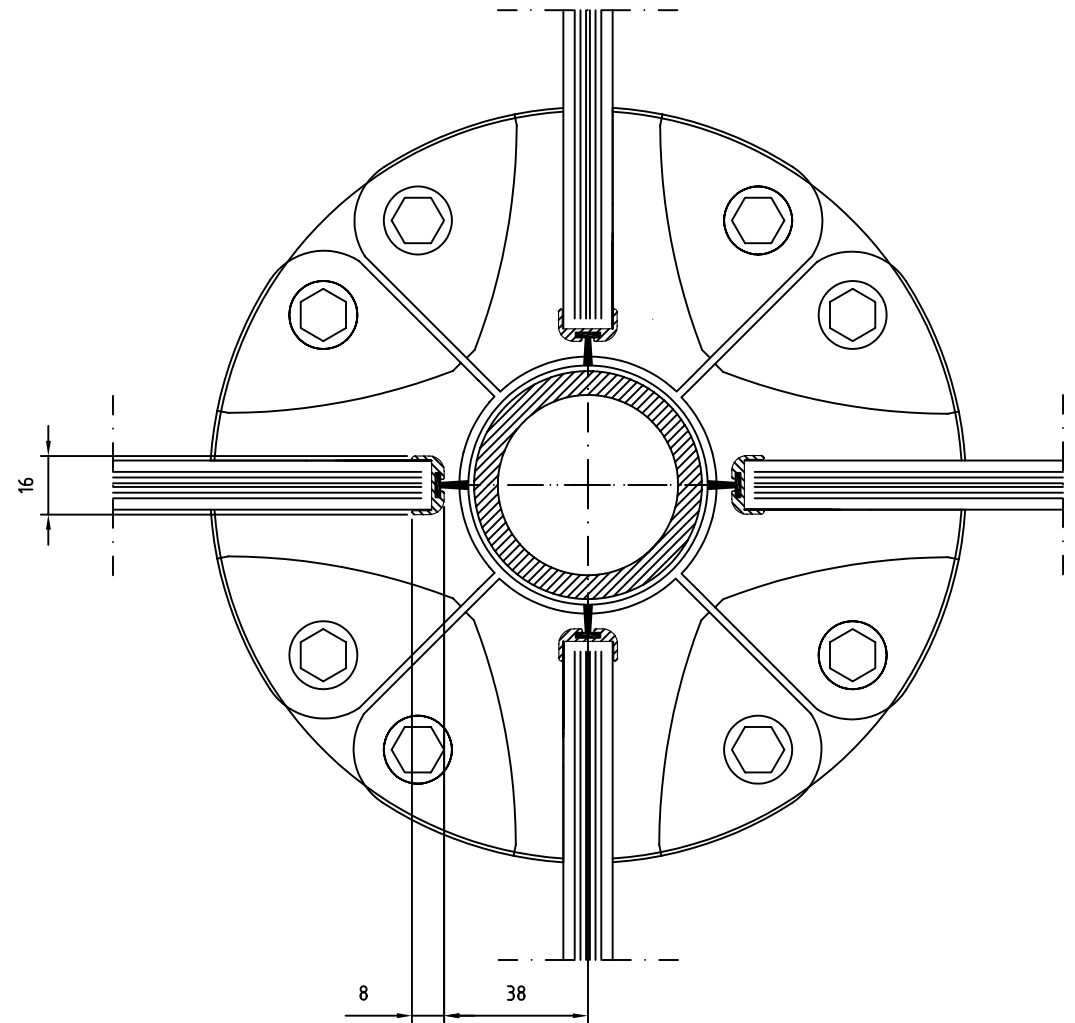
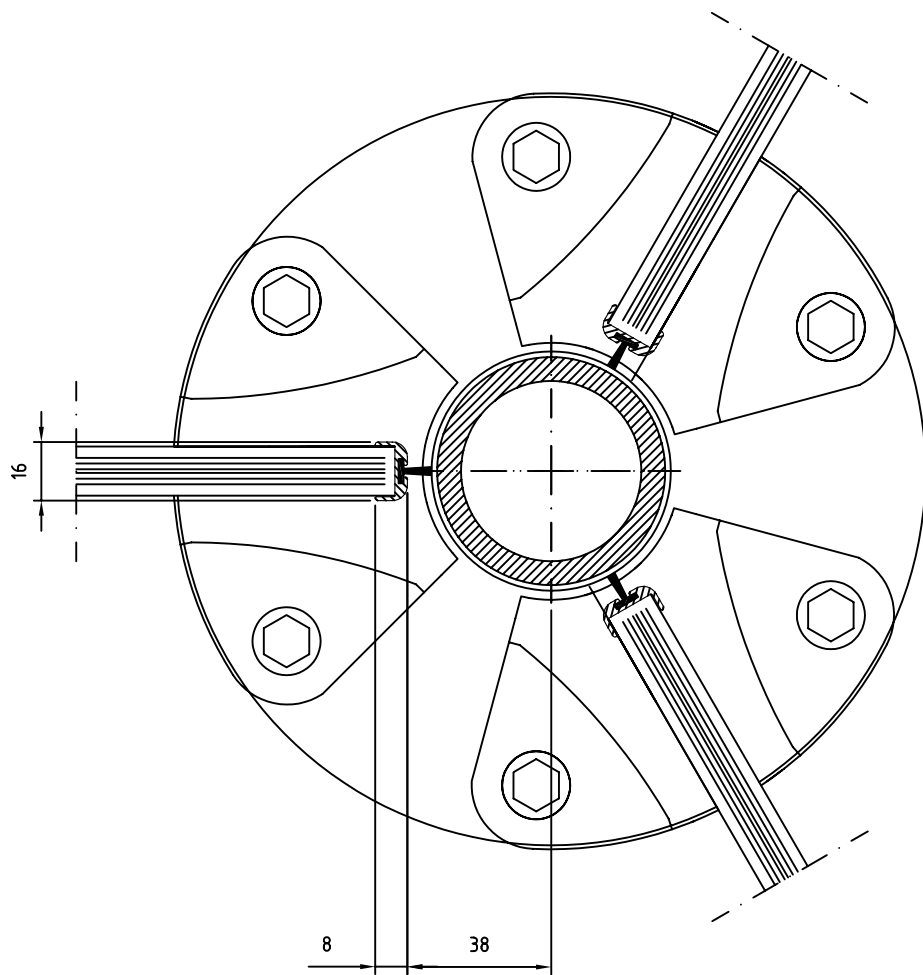
Revolving door  
RD3/4 Frame NCD  
Section NCD - NCD

**besam**

1

1002828





Scale 1:2

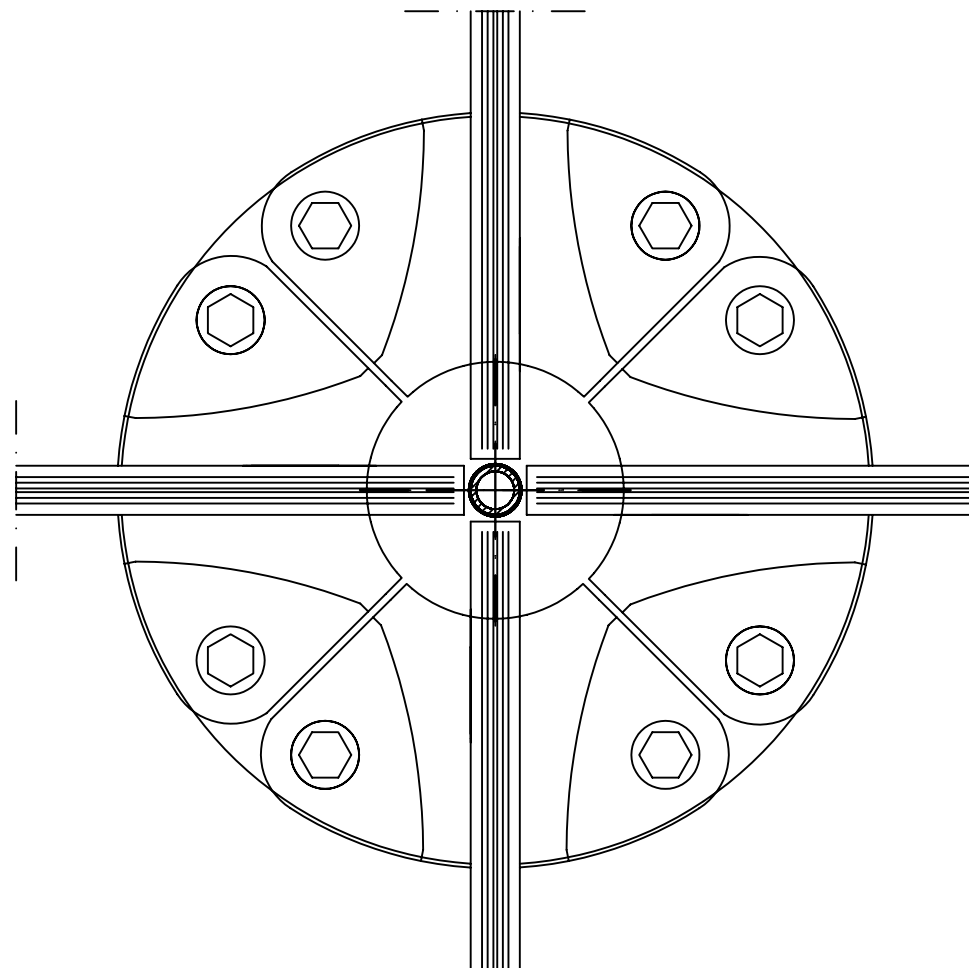
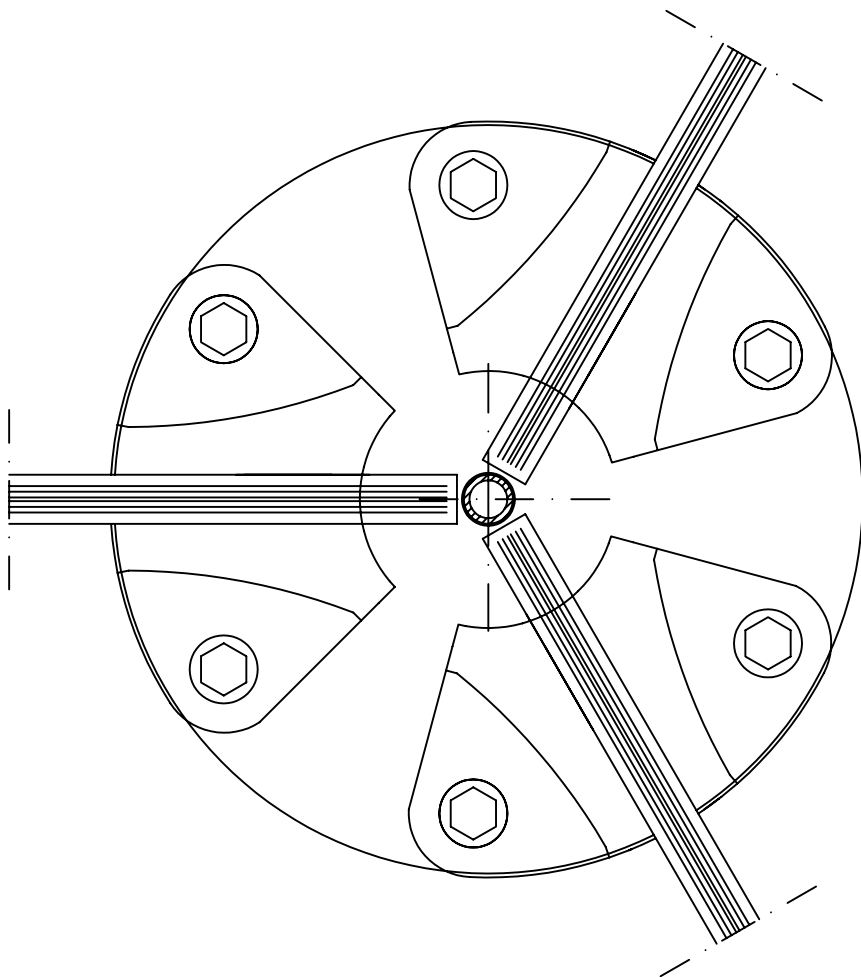
Revolving door  
RD3/4 Slim  
Section Center shaft - door

**besam** 

1

1002840





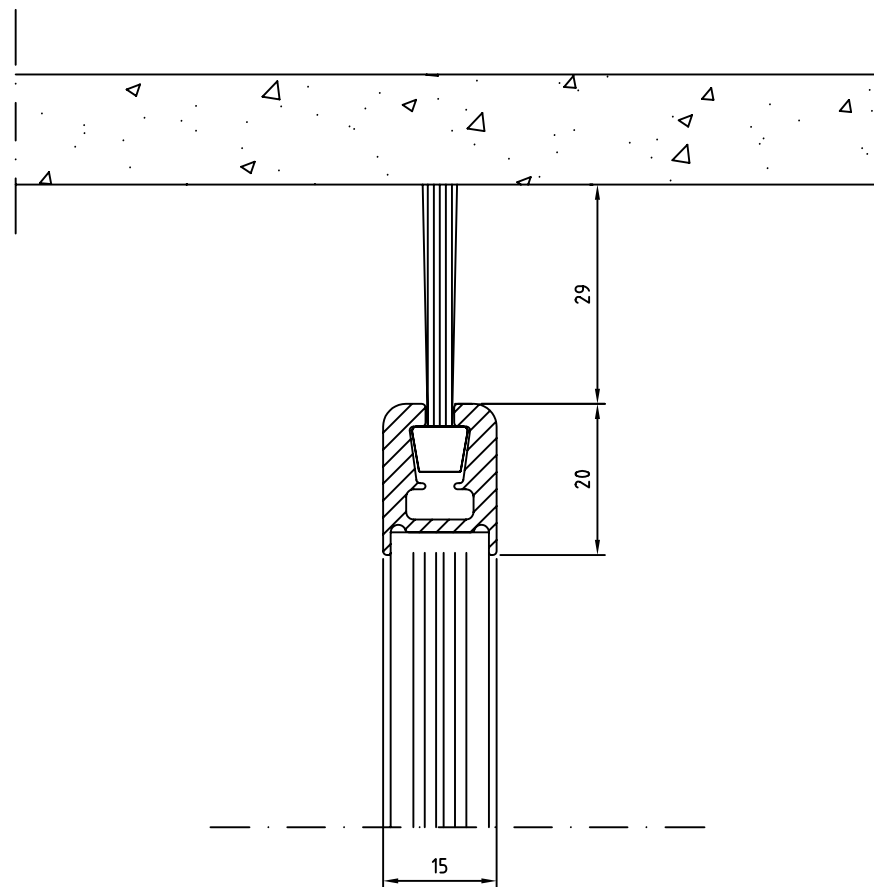
Scale 1:2

Revolving door  
RD3/4 Slim centerless  
Section Center shaft - door

**besam** 

1

1002841



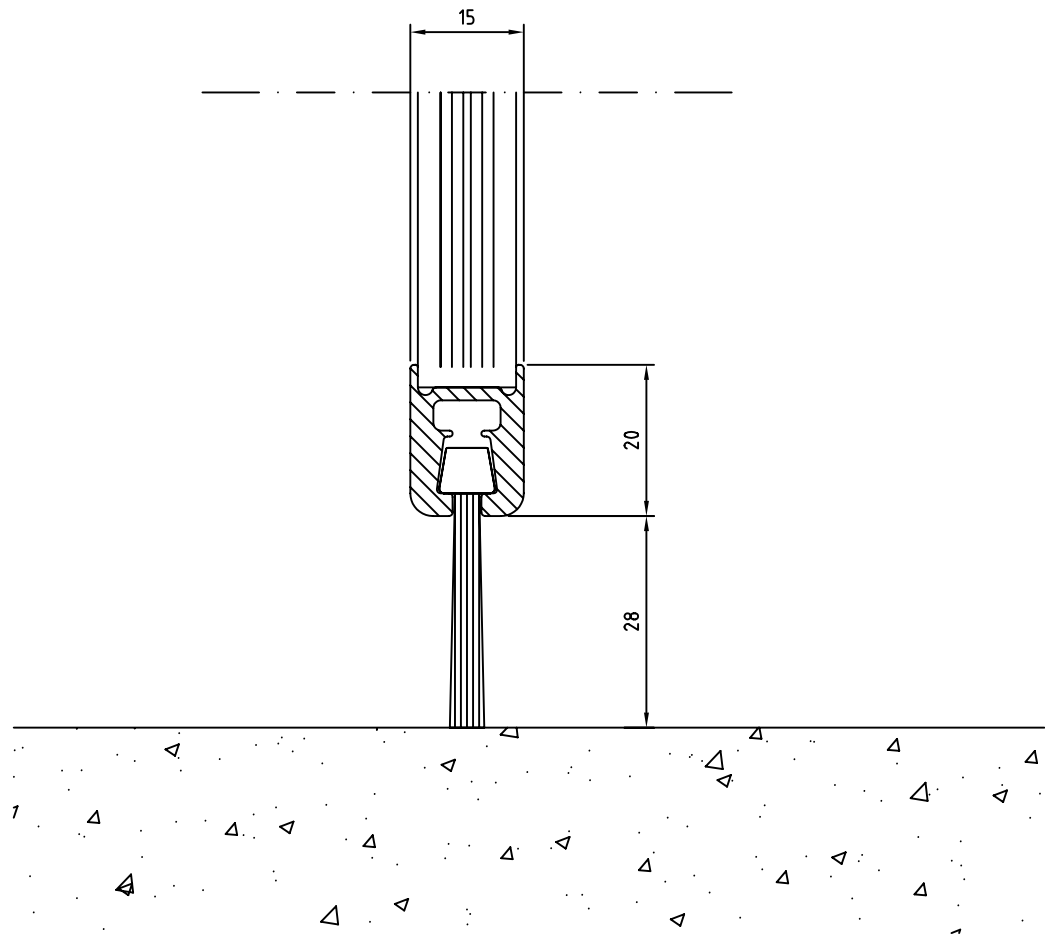
Scale 1:1

Revolving door  
RD3/4 Slim  
Section Ceiling - door

**besam** 

1

1002845



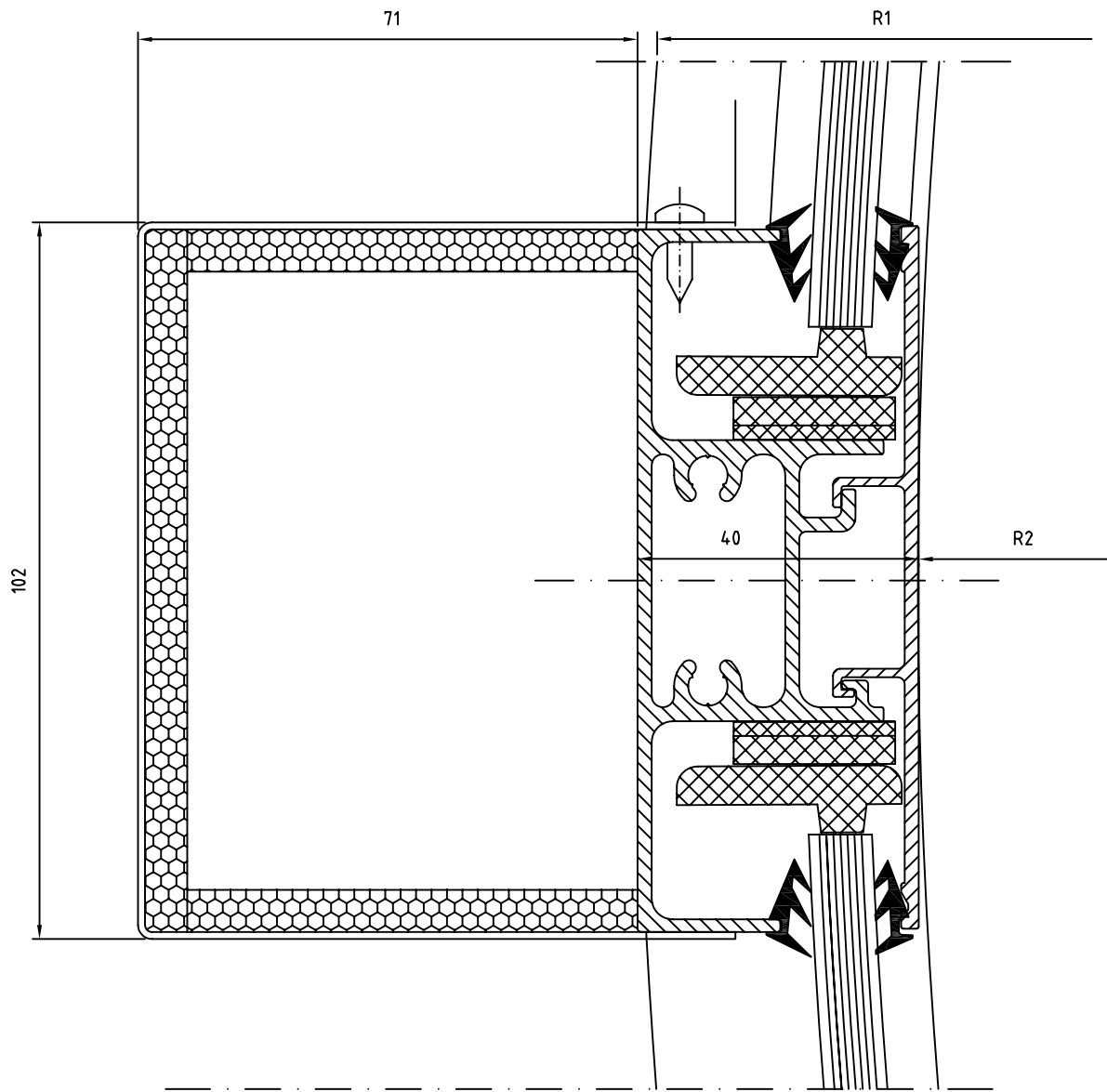
Scale 1:1

Revolving door  
RD3/4 Slim  
Section Floor - door

**besam** 

1

1002846



Scale 1:1

Revolving door  
 RD3 Frame NCD  
 Section NCD slam post



0

1003317