

**State when ordering**

FW=.....mm  
 FH=.....mm  
 COW=.....mm  
 COH=.....mm  
 Cover  
 CL=.....mm

**Surface treatment**

Silver anodized  
 Special anodized.....  
 RAL.....  
 Special powder coating.....  
 .....

**Door leaf and Reveal plate**

Laminate .....

Colour .....

Stainless steel

Radiation protection, 1mm

Radiation protection, 2mm

**Window**

WH= .....mm

Rectangular (WxH) .....x.....mm

Circular D=400mm

**Glass (std. = 6mm laminated)**

Single glazing

Double glazing, flush both sides

**Handle (mandatory)**

Handle both sides

Handle operator side only

Handle non-operator side only

**Mechanical door lock**

Euro 2-way  
 Key lock both sides

Euro 1-way  
 Key lock non-operator side

Euro 1-way  
 Key lock operator side

Earthing kit

FW= Frame width (structural) (COW+125)  
 Min. 925 / max. 2625

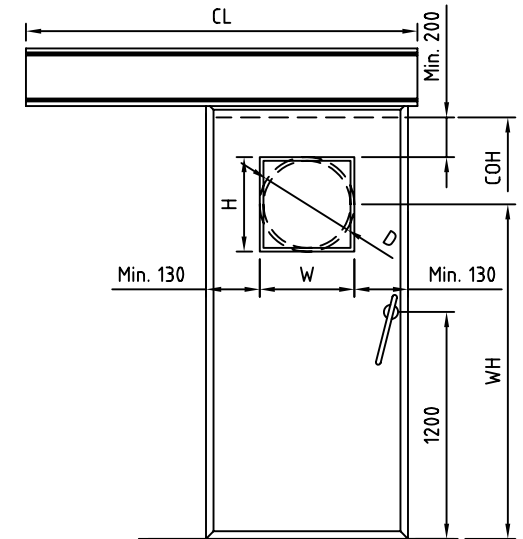
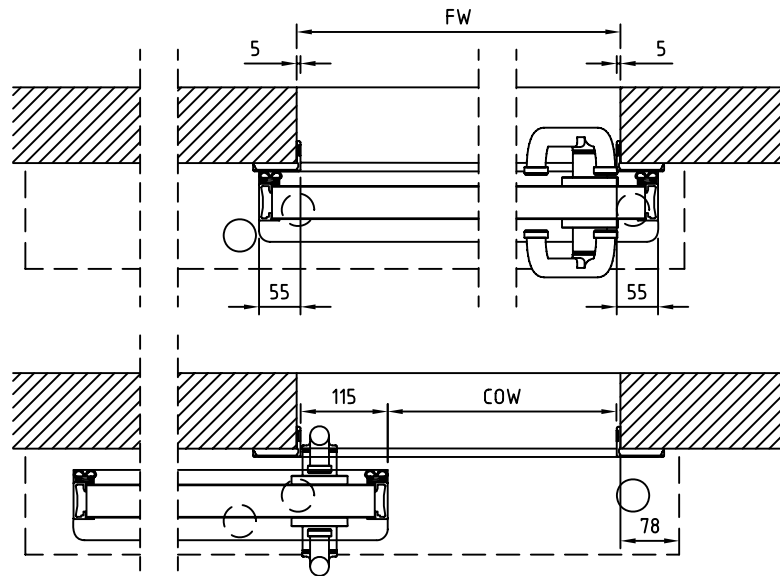
FH= Frame height (structural) (COH+5)  
 Min. 1905 / max. 3000

COW= Clear Opening Width (FW-125)

COH= Clear Opening Height (FH-5)

CL= Cover Length (2COW+370)  
 Max. 5370mm

WH= Window Height (centre)  
 (standard=1500mm)



Customer:

Besam ref:

Door id:

Date:

Project No:

Sign:

ADS Automatic door system  
 Hermetic UniSlide, opening left  
 without reveal plate  
 Article No. 1001817



4

1001836