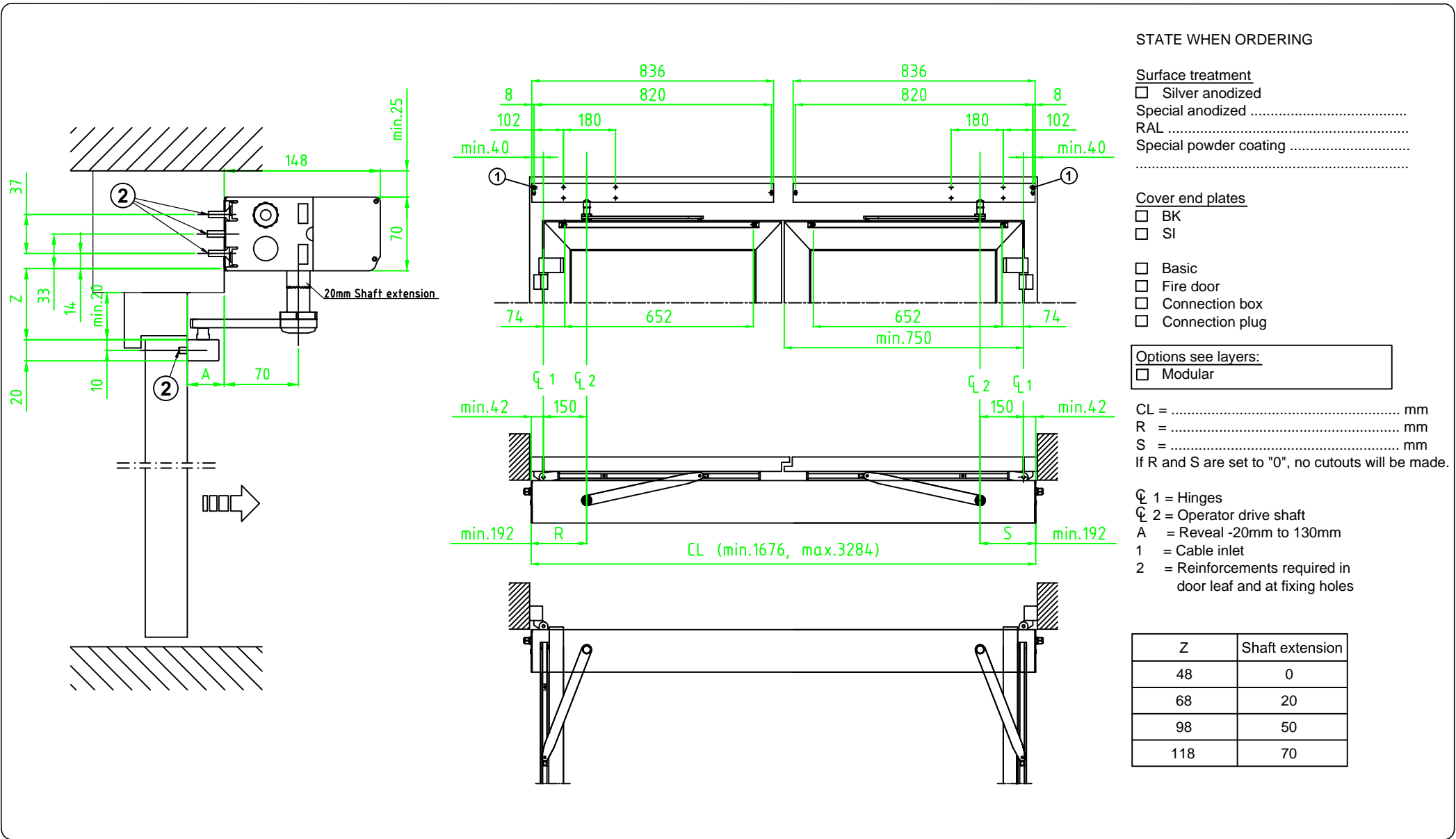


© All rights in and to this material are the sole property of ASSA ABLOY Entrance Systems AB. Copying, scanning, alterations or modifications are expressly forbidden without the prior written consent of the applicable company within ASSA ABLOY Entrance Systems AB. Rights reserved for changes without prior notice.



STATE WHEN ORDERING

Surface treatment
 Silver anodized
 Special anodized
 RAL
 Special powder coating

Cover end plates
 BK
 SI

Basic
 Fire door
 Connection box
 Connection plug

Options see layers:
 Modular

CL = mm
 R = mm
 S = mm
 If R and S are set to "0", no cutouts will be made.

CL 1 = Hinges
 CL 2 = Operator drive shaft
 A = Reveal -20mm to 130mm
 1 = Cable inlet
 2 = Reinforcements required in door leaf and at fixing holes

Z	Shaft extension
48	0
68	20
98	50
118	70

Customer: _____

Door id: _____

Project No: _____

Ref: _____

Date: _____

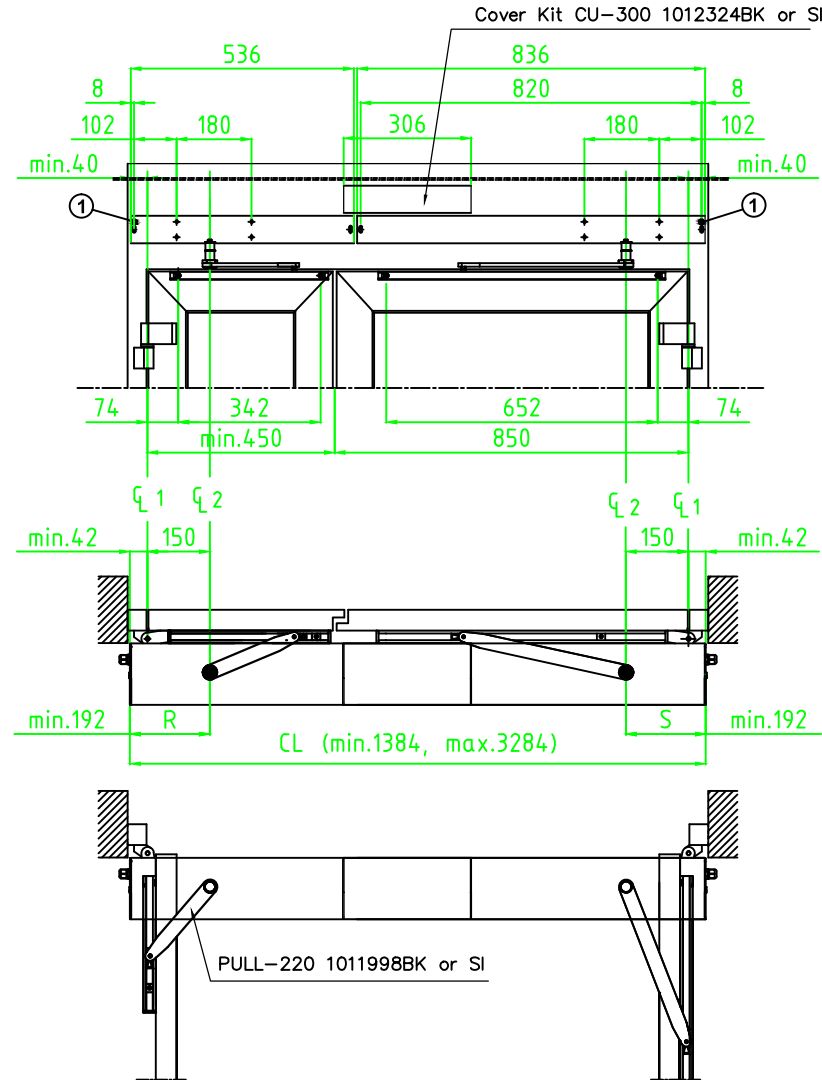
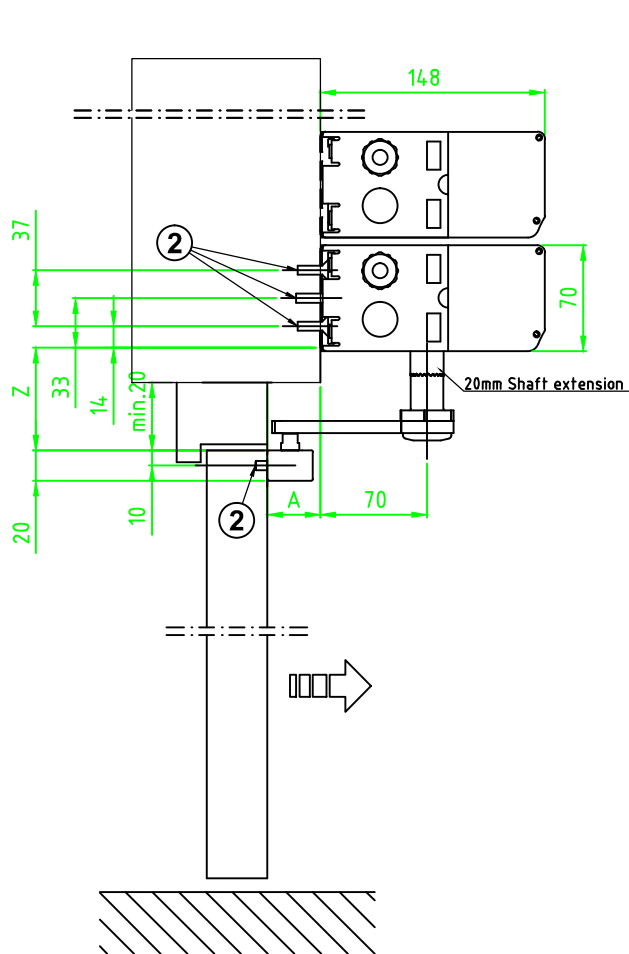
Sign: _____

Swing door operator
 Besam SW300-2(Art. No. 1009172)
 Besam SW150-2(Art. No. 1009173)
 PULL

ASSA ABLOY

5.0 1009172-EI

© All rights in and to this material are the sole property of ASSA ABLOY Entrance Systems AB. Copying, scanning, alterations or modifications are expressly forbidden without the prior written consent of the applicable company within ASSA ABLOY Entrance Systems AB. Rights reserved for changes without prior notice.



STATE WHEN ORDERING

- Surface treatment**
 Silver anodized
 Special anodized
 RAL
 Special powder coating

Cover end plates

- BK
 SI

 Basic
 Fire door
 Connection box
 Connection plug

CL = mm
 R = mm
 S = mm
 If R and S are set to "0", no cutouts will be made.

- ⌀ 1 = Hinges
 ⌀ 2 = Operator drive shaft
 A = Reveal -20mm to 130mm
 1 = Cable inlet
 2 = Reinforcements required in door leaf and at fixing holes

Z	Shaft extension
48	0
68	20
98	50
118	70

Customer: _____
 Door id: _____
 Project No: _____

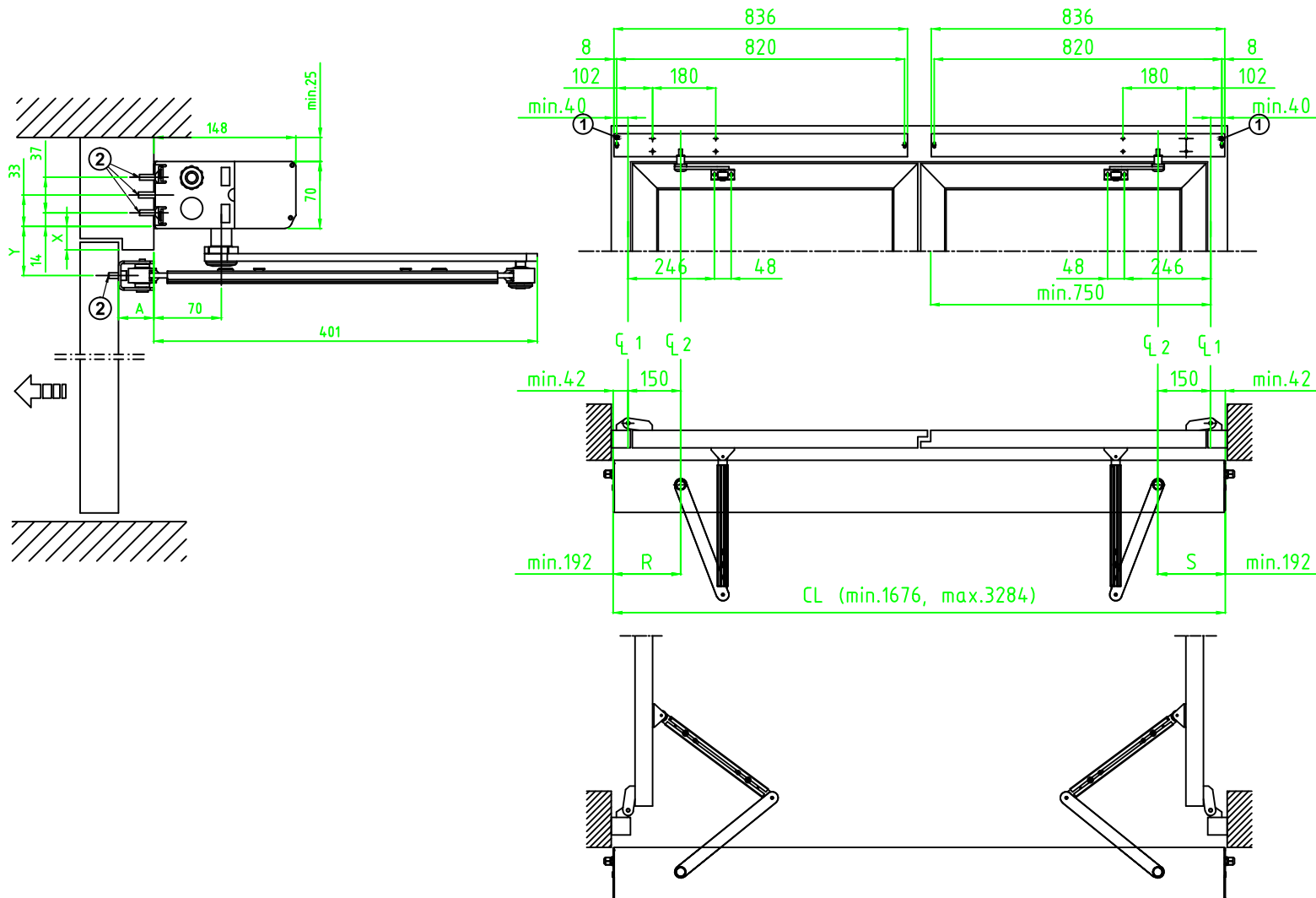
Ref: _____
 Date: _____
 Sign: _____

Swing door operator
 Besam SW300-2(Art. No. 1009172)
 Besam SW150-2(Art. No. 1009173)
 PULL Narrow Door

ASSA ABLOY

5.0 1009172-EI

© All rights in and to this material are the sole property of ASSA ABLOY Entrance Systems AB. Copying, scanning, alterations or modifications are expressly forbidden without the prior written consent of the applicable company within ASSA ABLOY Entrance Systems AB. Rights reserved for changes without prior notice.



STATE WHEN ORDERING

Surface treatment

- Silver anodized
- Special anodized
- RAL
- Special powder coating
-

Cover end plates

- BK
- SI

- Basic
- Fire door
- Connection box
- Connection plug

Options see layers:

- Modular

CL = mm
 R = mm
 S = mm
 If R and S are set to "0", no cutouts will be made.

- CL 1 = Hinges
- CL 2 = Operator drive shaft
- A = Reveal 0mm to 22mm, optional 300mm
- 1 = Cable inlet
- 2 = Reinforcements required in door leaf and at fixing holes

X	Y	Shaft extension
2-25	51	0
25-45	71	20
45-75	101	50
75-95	121	70

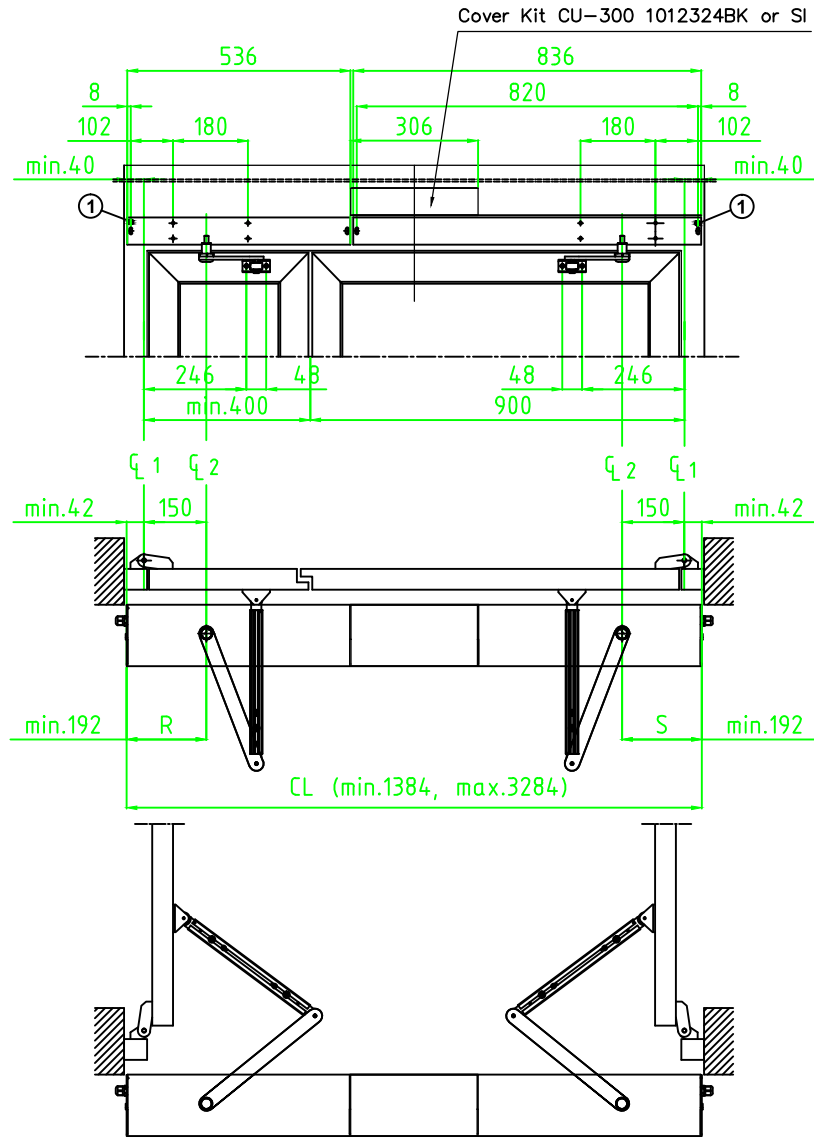
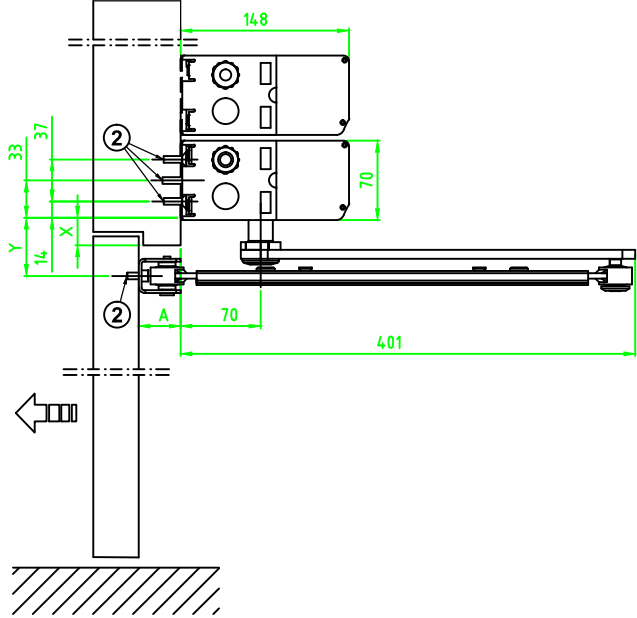
Customer:	Ref:
Door id:	Date:
Project No:	Sign:

Ref:
Date:
Sign:

Swing door operator
 Besam SW300-2(Art. No. 1009172)
 Besam SW150-2(Art. No. 1009173)
PUSH

ASSA ABLOY

5.0 1009172-EI



STATE WHEN ORDERING

Surface treatment

- Silver anodized
- Special anodized
- RAL
- Special powder coating
-

Cover end plates

- BK
- SI

- Basic
- Fire door
- Connection box
- Connection plug

CL = mm
 R = mm
 S = mm
 If R and S are set to "0", no cutouts will be made.

- CL 1 = Hinges
- CL 2 = Operator drive shaft
- A = Reveal 0mm to 22mm, optional 300mm
- 1 = Cable inlet
- 2 = Reinforcements required in door leaf and at fixing holes

X	Y	Shaft extension
2-25	51	0
25-45	71	20
45-75	101	50
75-95	121	70

Customer: _____

Door id: _____

Project No: _____

Ref: _____

Date: _____

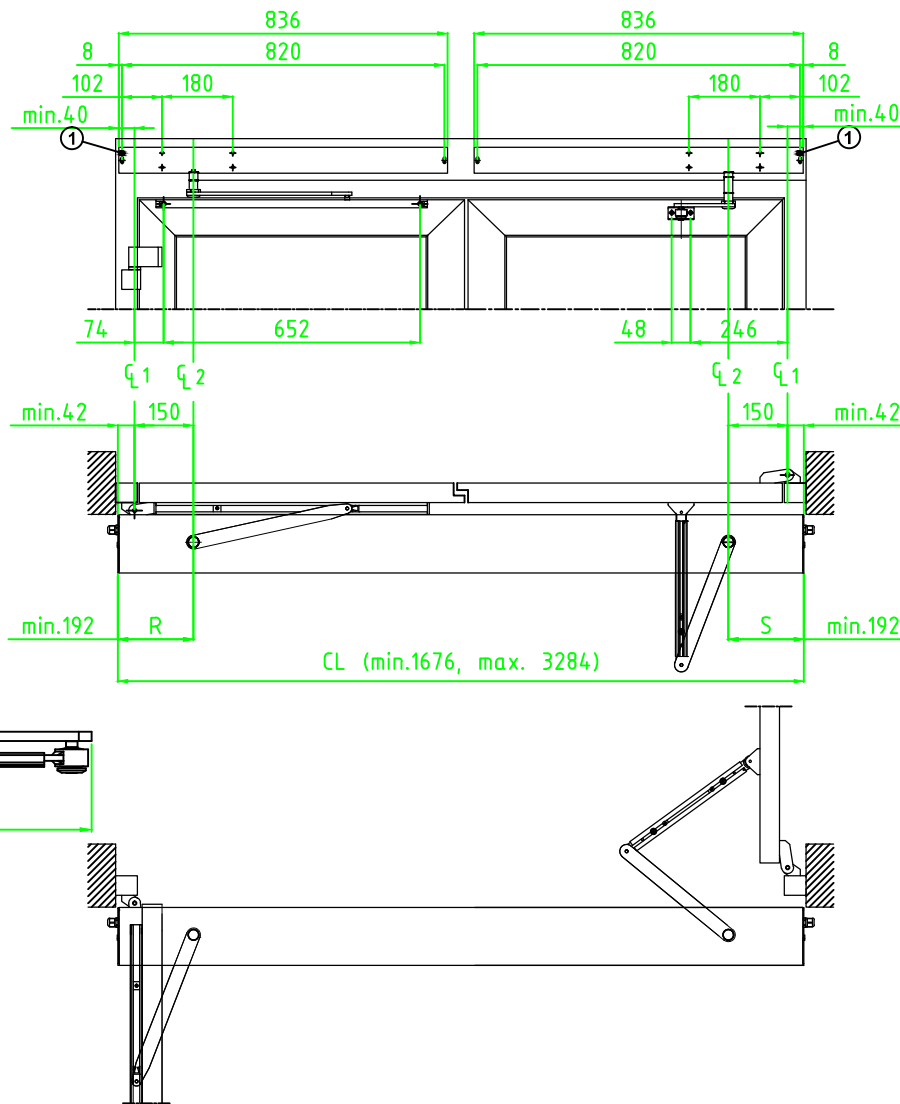
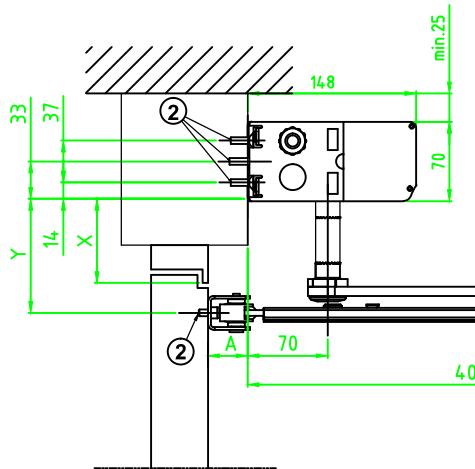
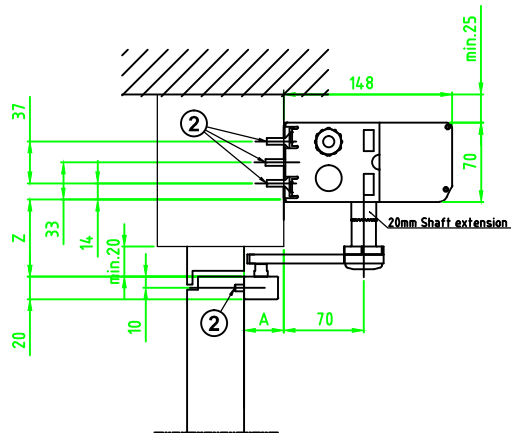
Sign: _____

Swing door operator
 Besam SW300-2(Art. No. 1009172)
 Besam SW150-2(Art. No. 1009173)
 PUSH Narrow Door

ASSA ABLOY

5.0 1009172-EI

© All rights in and to this material are the sole property of ASSA ABLOY Entrance Systems AB. Copying, scanning, alterations or modifications are expressly forbidden without the prior written consent of the applicable company within ASSA ABLOY Entrance Systems AB. Rights reserved for changes without prior notice.



STATE WHEN ORDERING

Surface treatment

- Silver anodized
- Special anodized
- RAL
- Special powder coating
-

Cover end plates

- BK
- SI

- Basic
- Fire door
- Connection box
- Connection plug

Options see layers:

- Modular

CL = mm
 R = mm
 S = mm
 If R and S are set to "0", no cutouts will be made.

- $\varnothing 1$ = Hinges
- $\varnothing 2$ = Operator drive shaft
- A = Reveal 0mm to 22mm, optional 130mm
- 1 = Cable inlet
- 2 = Reinforcements required in door leaf and at fixing holes

Z	Pull Shaft extension
48	0
68	20

X	Y	Push Shaft extension
45-75	101	50
75-95	121	70

Customer: _____

Door id: _____

Project No: _____

Ref: _____

Date: _____

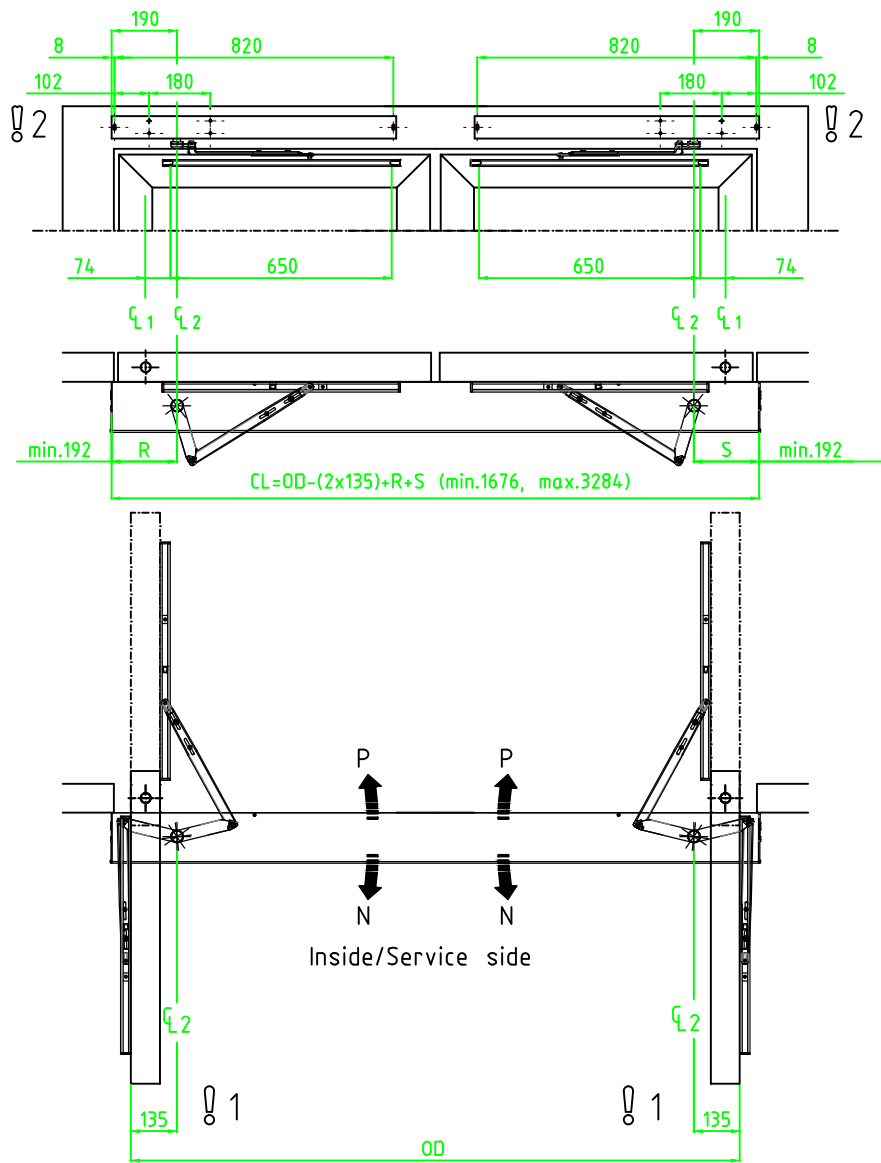
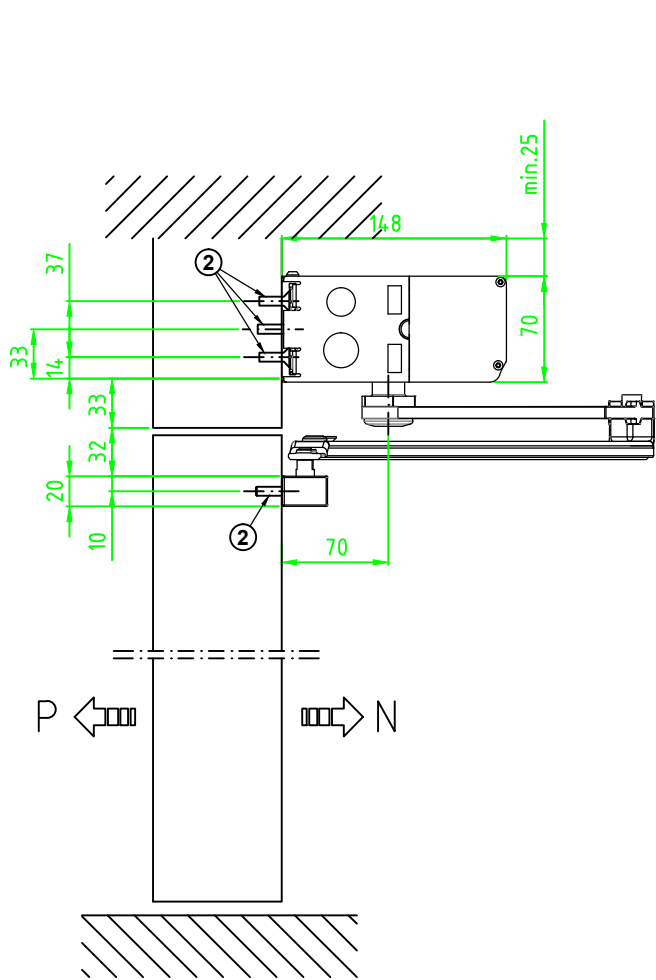
Sign: _____

Swing door operator
 Besam SW300-2(Art. No. 1009172)
 Besam SW150-2(Art. No. 1009173)
PULL+PUSH

ASSA ABLOY

5.0 1009172-EI

© All rights in and to this material are the sole property of ASSA ABLOY Entrance Systems AB. Copying, scanning, alterations or modifications are expressly forbidden without the prior written consent of the applicable company within ASSA ABLOY Entrance Systems AB. Rights reserved for changes without prior notice.



STATE WHEN ORDERING

Surface treatment

- Silver anodized
- Special anodized
- RAL
- Special powder coating

Cover end plates

- BK
- SI

- Basic
- Fire door
- Connection box
- Connection plug

CL = mm
 R = mm
 S = mm
 If R and S are set to "0", no cutouts will be made.

- C1 Pivot point
- C2 Operator drive shaft
- 1 Cable inlet
- 2 Reinforcements required in door leaf and at fixing holes
- OD Outside doors
- N Normal opening direction
- P Escape opening direction

Customer:	Ref:
Door id:	Date:
Project No:	Sign:

Ref:
Date:
Sign:

Swing door operator
 Besam SW300 DA-2
 Arm system Double Acting
 Art. No. 1009172

ASSA ABLOY

5.0 1009172-EI