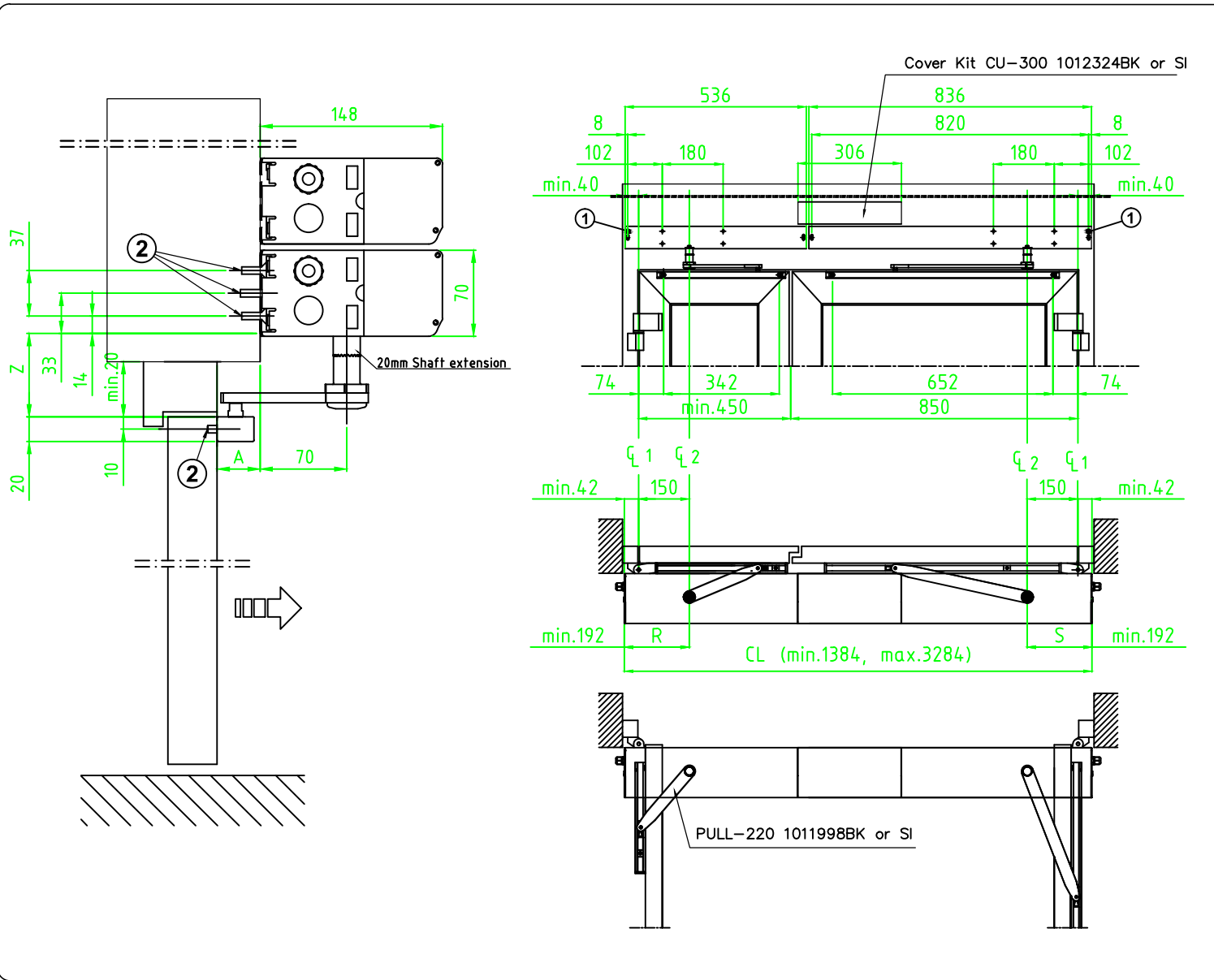




© All rights in and to this material are the sole property of ASSA ABLOY Entrance Systems AB. Copying, scanning, alterations or modifications are expressly forbidden without the prior written consent of the applicable company within ASSA ABLOY Entrance Systems AB. Rights reserved for changes without prior notice.



**STATE WHEN ORDERING**

- Surface treatment**  
 Silver anodized  
 Special anodized .....  
 RAL .....  
 Special powder coating .....

- Cover end plates**  
 BK  
 SI

- Basic  
 Fire door  
 Connection box  
 Connection plug

**Options see layers:**  
 Modular

CL = ..... mm  
 R = ..... mm  
 S = ..... mm  
 If R and S are set to "0", no cutouts will be made.

- ∅ 1 = Hinges  
 ∅ 2 = Operator drive shaft  
 A = Reveal -20mm to 130mm  
 1 = Cable inlet  
 2 = Reinforcements required in door leaf and at fixing holes

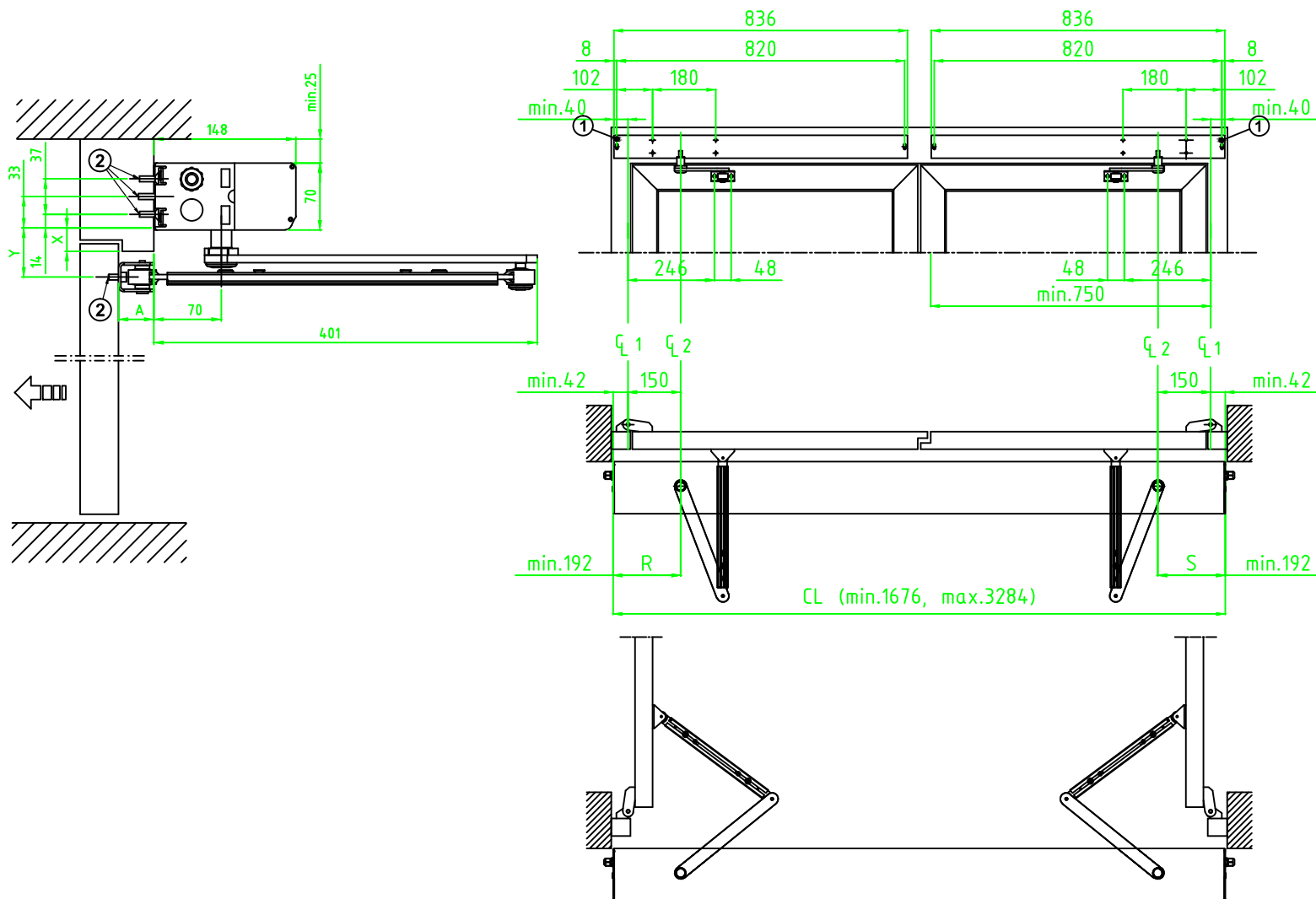
Z	Shaft extension
48	0
68	20
98	50
118	70

Customer: \_\_\_\_\_  
 Door id: \_\_\_\_\_  
 Project No: \_\_\_\_\_

Ref: \_\_\_\_\_  
 Date: \_\_\_\_\_  
 Sign: \_\_\_\_\_

Swing door operator  
 Besam SW300-2  
 PULL Narrow Door  
 Art. No. 1009172

**ASSA ABLOY**  
 4.0 1009172-EI



**STATE WHEN ORDERING**

**Surface treatment**

- Silver anodized
- Special anodized .....
- RAL .....
- Special powder coating .....
- .....

**Cover end plates**

- BK
- SI
  
- Basic
- Fire door
- Connection box
- Connection plug

**Options see layers:**

- Modular

CL = ..... mm  
 R = ..... mm  
 S = ..... mm  
 If R and S are set to "0", no cutouts will be made.

- ☉ 1 = Hinges
- ☉ 2 = Operator drive shaft
- A = Reveal 0mm to 22mm, optional 300mm
- 1 = Cable inlet
- 2 = Reinforcements required in door leaf and at fixing holes

X	Y	Shaft extension
2-25	51	0
25-45	71	20
45-75	101	50
75-95	121	70

Customer: \_\_\_\_\_

Door id: \_\_\_\_\_

Project No: \_\_\_\_\_

Ref: \_\_\_\_\_

Date: \_\_\_\_\_

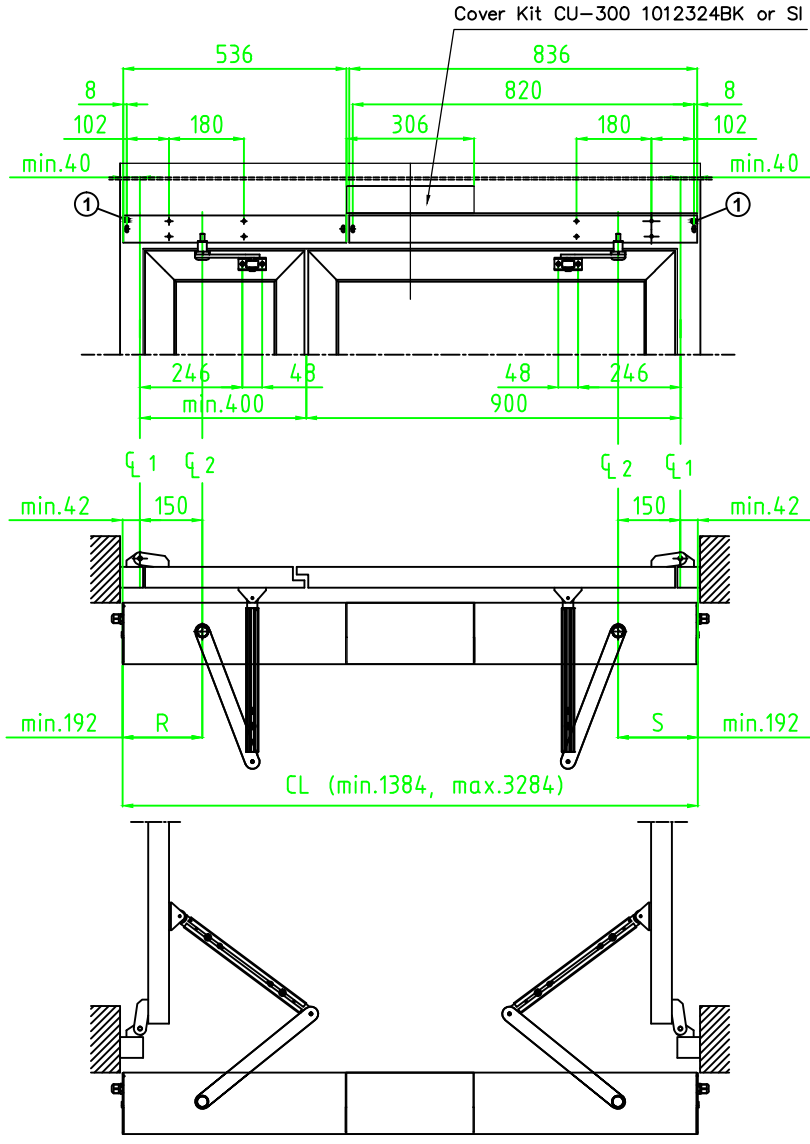
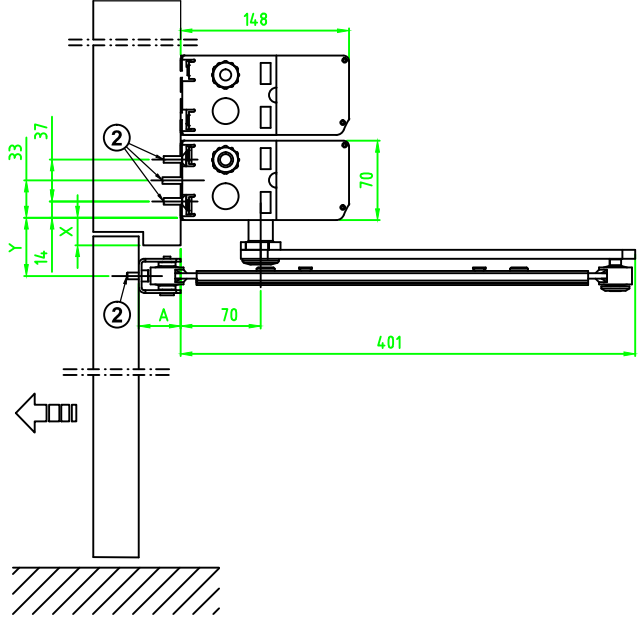
Sign: \_\_\_\_\_

Swing door operator  
 Besam SW300-2  
 PUSH  
 Art. No. 1009172

**ASSA ABLOY**

4.0 1009172-EI

© All rights in and to this material are the sole property of ASSA ABLOY Entrance Systems AB. Copying, scanning, alterations or modifications are expressly forbidden without the prior written consent of the applicable company within ASSA ABLOY Entrance Systems AB. Rights reserved for changes without prior notice.



**STATE WHEN ORDERING**

- Surface treatment**  
 Silver anodized  
 Special anodized .....  
 RAL .....  
 Special powder coating .....  
 .....

- Cover end plates**  
 BK  
 SI
- Basic  
 Fire door  
 Connection box  
 Connection plug

Options see layers:  
 Modular

CL = ..... mm  
 R = ..... mm  
 S = ..... mm  
 If R and S are set to "0", no cutouts will be made.

- ⌀ 1 = Hinges  
 ⌀ 2 = Operator drive shaft  
 A = Reveal 0mm to 22mm, optional 300mm  
 1 = Cable inlet  
 2 = Reinforcements required in door leaf and at fixing holes

X	Y	Shaft extension
2-25	51	0
25-45	71	20
45-75	101	50
75-95	121	70

Customer: \_\_\_\_\_  
 Door id: \_\_\_\_\_  
 Project No: \_\_\_\_\_

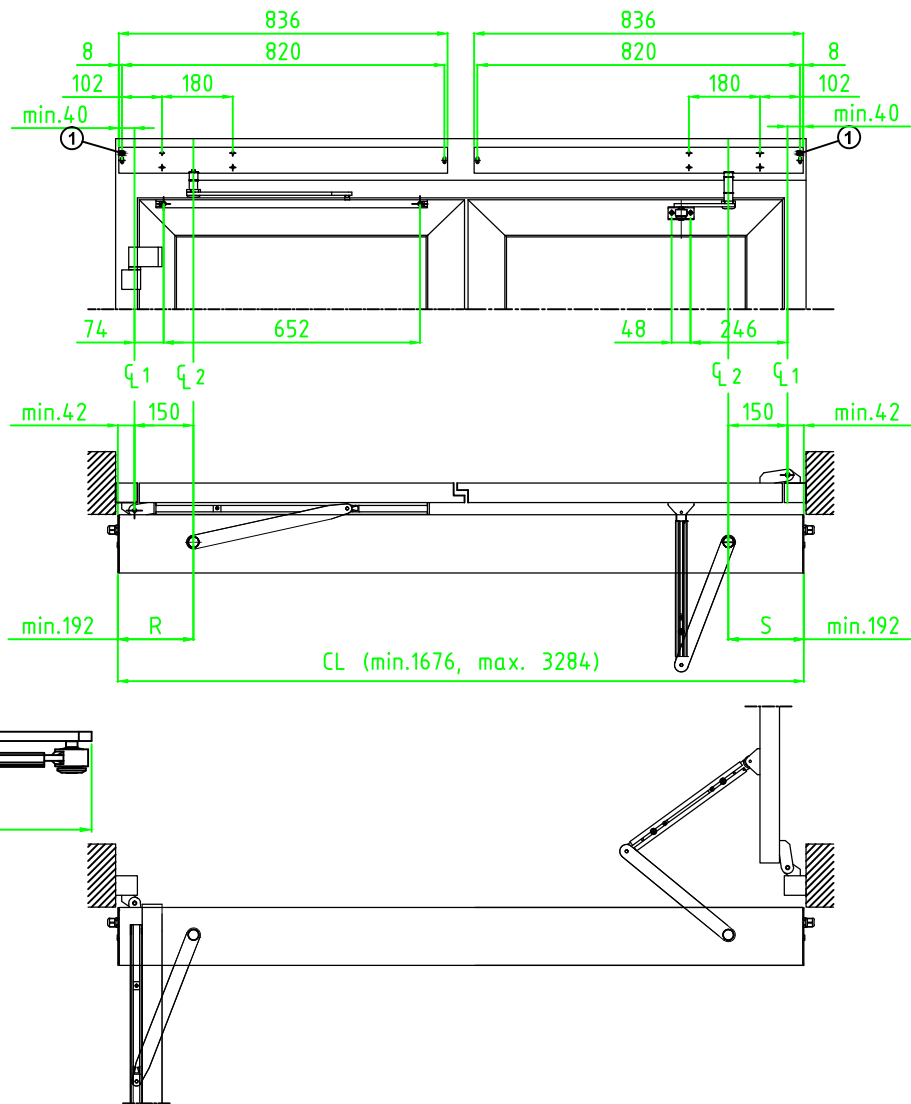
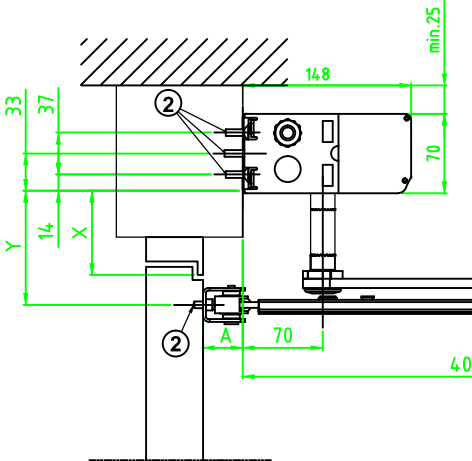
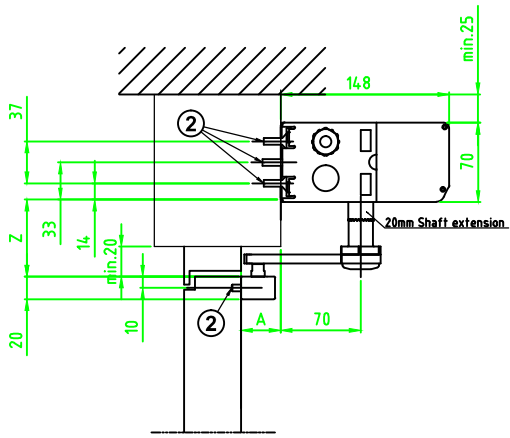
Ref: \_\_\_\_\_  
 Date: \_\_\_\_\_  
 Sign: \_\_\_\_\_

Swing door operator  
 Besam SW300-2  
 PUSH Narrow Door  
 Art. No. 1009172

**ASSA ABLOY**

4.0 1009172-EI

© All rights in and to this material are the sole property of ASSA ABLOY Entrance Systems AB. Copying, scanning, alterations or modifications are expressly forbidden without the prior written consent of the applicable company within ASSA ABLOY Entrance Systems AB. Rights reserved for changes without prior notice.



**STATE WHEN ORDERING**

- Surface treatment**  
 Silver anodized  
 Special anodized .....  
 RAL .....  
 Special powder coating .....

- Cover end plates**  
 BK  
 SI  
 Basic  
 Fire door  
 Connection box  
 Connection plug

Options see layers:  
 Modular

CL = ..... mm  
 R = ..... mm  
 S = ..... mm  
 If R and S are set to "0", no cutouts will be made.

- ∅ 1 = Hinges  
 ∅ 2 = Operator drive shaft  
 A = Reveal 0mm to 22mm, optional 130mm  
 1 = Cable inlet  
 2 = Reinforcements required in door leaf and at fixing holes

Z	Pull Shaft extension
48	0
68	20

X	Y	Push Shaft extension
45-75	101	50
75-95	121	70

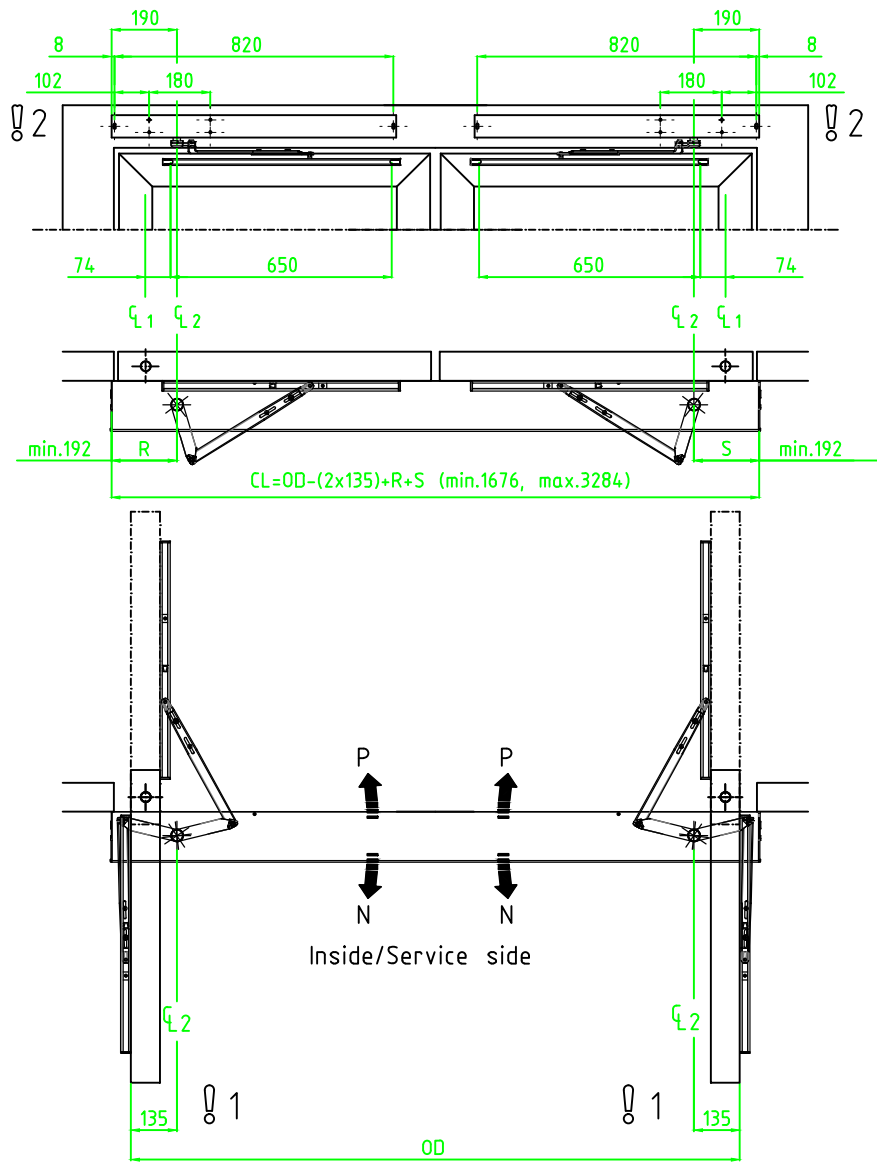
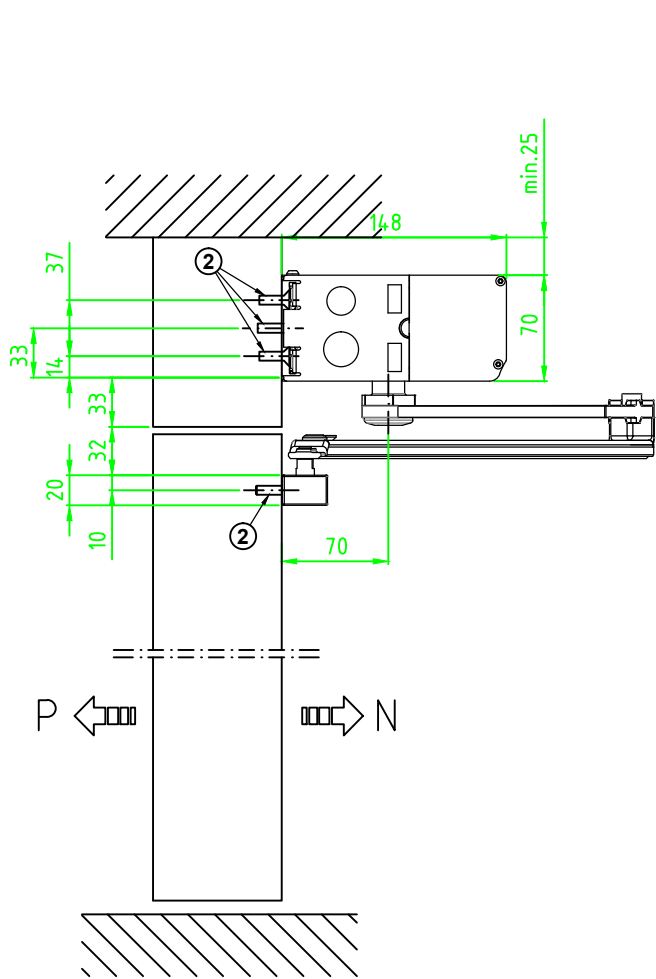
Customer: \_\_\_\_\_  
 Door id: \_\_\_\_\_  
 Project No: \_\_\_\_\_

Ref: \_\_\_\_\_  
 Date: \_\_\_\_\_  
 Sign: \_\_\_\_\_

**Swing door operator**  
 Besam SW300-2  
 PULL+PUSH  
 Art. No. 1009172

**ASSA ABLOY**

4.0 1009172-EI



**STATE WHEN ORDERING**

Surface treatment

- Silver anodized
- Special anodized .....
- RAL .....
- Special powder coating .....

Cover end plates

- BK
- SI
  
- Basic
- Fire door
- Connection box
- Connection plug

CL = ..... mm  
 R = ..... mm  
 S = ..... mm  
 If R and S are set to "0", no cutouts will be made.

- CL1 Pivot point
- CL2 Operator drive shaft
- 1 Cable inlet
- 2 Reinforcements required in door leaf and at fixing holes
- OD Outside doors
- N Normal opening direction
- P Escape opening direction

Customer:	Ref:
Door id:	Date:
Project No:	Sign:

Ref:
Date:
Sign:

Swing door operator  
 Besam SW300 DA-2  
 Arm system Double Acting  
 Art. No. 1009172

**ASSA ABLOY**

4.0 1009172-EI